

PANIC EXIT DEVICES .34



E N G L I S H

Dear Customer,

the outcome of a recent survey has stood out a customer satisfaction level of 92,8%.

This trustworthy and positive result is the effect of the commitment of all the collaborators and employees, which we aim to maintain and improve. It is the successful completion of the targets defined by the company management, which are included in the "Group Mission" too:

"To develop, manufacture and offer door locking systems, integrating security, user-friendliness, compliance with standards and technical specifications drawn up by designers and installers.

To provide our distribution network with the necessary technical and sales support."

Our mission translate into the following values within the System:

- The respect of our world: Ethics, Environment, Safety, Quality, and Privacy;
- Product reliability;
- Endless innovation;
- Respecting our partners' and customers' interests.

The fulfillment of these values allows to improve and implement our Integrated Management System, whose strategic aim and daily effort is the achievement of the following System Certifications and all the necessary product certifications by all the companies of ISEO Group.



Quality Management System



Environmental Management System



Occupational Health and Safety Management System



Panic and emergency exit devices



**DOUBLE
SAFETY:
NO PANIC,
NO BACTERIA**

In line with its attention to safety, ISEO has decided to add this measure to a device which is always present in public environments and in all those places where hygiene and healthcare is a basic requirement: hospitals, clinics, treatment homes, but also child care centres and nursery schools.

Therefore, the panic function is enriched with the antibacterial protection, AntiGerm*, whose performance is certified by Padova University Molecular Medicine Department.

The antibacterial treatment action is permanent and does not require special maintenance. The constant release of silver ions ensures top efficiency throughout the product life, even in case of surface scratches.

***Antibacterial protection for panic exit devices and accessories (except for Stainless steel/PVD finishes).**

All ISEO panic and emergency exit devices with antibacterial coating AntiGerm have obtained the voluntary certification ICIM 021AW/1



IDEA Base

5-8



IDEA Bolt

5-26



Push SIRENA

5-38



Push

5-40



Push-Bolt

5-51



Push-Bar

5-56



Pad

5-60



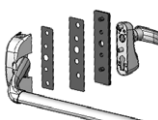
Pad-Bolt

5-75



Belvedere

5-78



Trim-Tronic

5-86



Trim

5-90



Match

5-94



Accessories

5-98



Finish

Painted white:	RAL 9016
Painted black:	RAL 9005
Painted grey:	■ RAL 9006
Painted grey:	METAL GREY
Painted red:	RAL 3000
Painted green:	■ RAL 6018
Painted green:	RAL 6029
Finish:	PVD-INOX
Finish:	ENDUR4NCE

Anti[™]: antibacterial protection
GERM

■ = Discontinued



**Panic exit
devices**

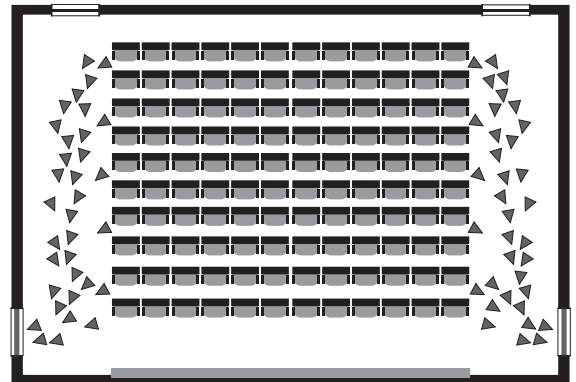


Standard

EN 1125:2008

All panic exit devices in compliance with standard EN 1125 are conceived to be used in panic situations.

The aim of the standard requirements is mainly to ensure a reliable and safe evacuation through a door making use of the minimum effort and with a single swing of the door, without any prior knowledge of the door device.





How to read the marking EN 1125:2008

Not suitable for use on fire/smoke doors	3	7	6	0	1	4	2	2	A	A
Suitable for use on fire/smoke doors	3	7	6	B	1	4	2	2	A	A
	Category of use	Durability	Door mass	Suitability for use on fire/smoke resistant doors	People's safety	Corrosion resistance	Goods' security	Bar projection	Type of bar operation	Field of door application

Category of use. There is only one category which refers to a high frequency of use where there is little incentive to exercise care, i. e. where there is a chance of an accident and misuse.

Durability. There are two grades of durability.
 grade 6 = 100,000 operations
 grade 7 = 200,000 operations

Door mass. There are three door mass categories:
 grade 5 = up to 100 kg
 grade 6 = up to 200 kg
 grade 7 = over 200 kg

Suitability for use on fire/smoke resistant doors. There are three fire/smoke resistance categories:
 grade 0 = not suitable for fire/smoke resistant doors
 grade A = suitable for smoke resistant doors
 grade B = suitable for fire/smoke resistant doors

People's safety. There is only one category representing the maximum grade, since panic exit devices must ensure people's safety.

Corrosion resistance. There are two categories as per prEN1670:
 grade 3 = 96 h (high resistance)
 grade 4 = 240 h (very high resistance)

Goods' security. Only one grade of security shall be used: the security requirements are secondary to those of safety.

Bar projection. There are two categories:
 grade 1 = bar projection up to mm 150 (large projection)
 grade 2 = bar projection up to mm 100 (standard projection)

Type of bar operation. There are two types of operations:
 A = panic exit device with "push-bar" operation (Idea)
 B = panic exit device with "touch-bar" operation (Push-Bar)

Field of door application. There are three categories:
 A = single door, double door: active or inactive leaf
 B = single door only
 C = double door, inactive leaf only.

For further information please refer to EN1125:2008 standard.



Warning

The field of application of these panic exit devices is limited to following:

Maximum door mass	Maximum door height	Maximum door width	Temperature interval
200 Kg	2520 mm	1320 mm	-10°C +60°C

The limits indicated above are identified by EN1125 standard. ISEO Serrature declares that the performances of the devices and their accessories are in compliance with the requirements of the standard, for doors with mass max. 200 kg, height max. 3400 mm and width max. 1500 mm.

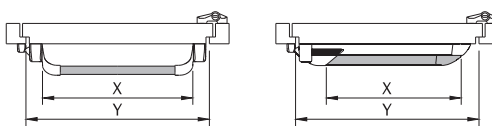


Fig. 1

The effective length (dimension X) of the bar shall be as near as possible to the effective width (dimension Y) of the door for which the device is intended, but never less than 60% (see Fig.1)

The door leavers and frames must be made of a material with sufficient rigidity to ensure that any distortions that occur during use can not exceed 5 mm in any position. The device must be fitted to the door leaf using materials that guarantee a tensile strength for each screw of >1,5KN.

Products certifications

ISEO Serrature has been awarded by Warrington Certification Limited (WCL) the certificate of conformity with EN 1125:08 standard allowing to apply the CE mark on panic exit devices, compulsory from 01/04/2003.

Idea panic exit devices have already obtained the Voluntary Product Certification by an independent organisation, ICIM, as provided for in EN 1125:08.

The ICIM voluntary certification establishes stricter requirements than the CE mark.

All the updated certificates can be downloaded from our web site: www.iseoserrature.it

Example of product certification

Organismo notificato N° 1121
Warrington Certification Limited, Holmesfield Road, Warrington, Cheshire, WA1 2DS, Regno Unito

Certificato di costanza della prestazione
1121-CPR-AAA006

In conformità con il Regolamento (UE) 305/2011 del Parlamento Europeo e del Consiglio del 9 marzo 2011 (Regolamento sui Prodotti da Costruzione o CPR), questo certificato si applica al prodotto da costruzione

Dispositivi per uscita di emergenza gamma touch bar e cross bar "IDEA BASE"

Utilizzo previsto: per l'uso su porte ad anta singola o doppia antipanico, incluse porte antifuoco/antifumo e porte con blocco su via di fuga.

Caratteristiche essenziali	Prestazioni	Specifica tecnica armonizzata
<p>Classe 4.2.1 Capacità di apertura per porte su vie di fuga</p> <p>Funzione di apertura</p> <p>Montaggio predisposto per uscite antipanico</p> <p>Angoli e bordi esposti</p> <p>Anta doppia</p> <p>Anta singola</p> <p>Installazione della barra</p> <p>Lunghezza della barra</p> <p>Sporgenza della barra</p> <p>Termine della barra</p> <p>Superficie barra di accoppiamento</p> <p>Barra di test</p> <p>Spazio libero rispetto alla superficie della porta</p> <p>Spazio libero accessibile</p> <p>Movimento libero della porta</p> <p>Dimensioni di chiusura verticale</p> <p>Incontri</p> <p>Dimensioni degli incontri</p> <p>Massa e dimensioni della porta</p> <p>Sistema di apertura porta dall'interno</p> <p>Forze di rilascio</p>	<p>Prove meccaniche: CIE EN1125:08, EN1125:09, EN1125:10, EN1125:11, EN1125:12, EN1125:13, EN1125:14, EN1125:15, EN1125:16, EN1125:17, EN1125:18, EN1125:19, EN1125:20, EN1125:21, EN1125:22, EN1125:23, EN1125:24, EN1125:25, EN1125:26, EN1125:27, EN1125:28, EN1125:29, EN1125:30, EN1125:31, EN1125:32, EN1125:33, EN1125:34, EN1125:35, EN1125:36, EN1125:37, EN1125:38, EN1125:39, EN1125:40, EN1125:41, EN1125:42, EN1125:43, EN1125:44, EN1125:45, EN1125:46, EN1125:47, EN1125:48, EN1125:49, EN1125:50, EN1125:51, EN1125:52, EN1125:53, EN1125:54, EN1125:55, EN1125:56, EN1125:57, EN1125:58, EN1125:59, EN1125:60, EN1125:61, EN1125:62, EN1125:63, EN1125:64, EN1125:65, EN1125:66, EN1125:67, EN1125:68, EN1125:69, EN1125:70, EN1125:71, EN1125:72, EN1125:73, EN1125:74, EN1125:75, EN1125:76, EN1125:77, EN1125:78, EN1125:79, EN1125:80, EN1125:81, EN1125:82, EN1125:83, EN1125:84, EN1125:85, EN1125:86, EN1125:87, EN1125:88, EN1125:89, EN1125:90, EN1125:91, EN1125:92, EN1125:93, EN1125:94, EN1125:95, EN1125:96, EN1125:97, EN1125:98, EN1125:99, EN1125:100</p> <p>Prova resistenza al fuoco: EN1363</p>	<p>EN EN 1125:2008</p>
<p>Classe 4.2.1 Durabilità della capacità di apertura contro l'inceppamento e la degradazione per porte su vie di fuga</p> <p>Resistenza alla corrosione</p> <p>Classe della temperatura</p> <p>Coperture per ante verticali</p> <p>Lubrificazione</p> <p>Forza di riaggancio</p> <p>Durabilità</p> <p>Resistenza all'urto improvviso - barra orizzontale</p> <p>Resistenza all'urto improvviso - ante verticali</p> <p>Esame finale</p>	<p>Grado 4: 240 ore</p> <p>Forza di funzionamento a 10°C e a 60°C < 50% in ridondanza delle forze di funzionamento a +20°C</p> <p>Superficie</p> <p>Lubrificazione ogni 20.000 cicli</p> <p>< 50 N</p> <p>Grado 7: 200.000 cicli</p> <p>1.000 N</p> <p>100% (nessuna prestazione determinata)</p> <p>< 80 N con la porta non sottoposta a pressione < 220 N con la porta sottoposta a una pressione di 1.000 N</p>	<p>EN EN 1125:2008</p>

Pagina 1 di 8

This certificate is the property of Warrington Certification Limited, part of Secur (UK) Ltd. Registered office: Lochwin Industrial Estate, Newburgh, Merseyside, L31 2ST, UK. Registered in Scotland, No. SC 20429

Certificazione di Prodotto
Product Certification

Certificato N. **018AD/5**
Certificato No.

ALLAZIENDA / TO THE FIRM
ISEO SERRATURE S.p.A.
Via San Giacomo, 13
PISOGNE (BS) ITALY

UNITÀ OPERATIVE / OPERATING UNITS

PER I SEGUENTI PRODOTTI / FOR THE FOLLOWING PRODUCTS
DISPOSITIVI ANTIPANICO PER USCITE DI SICUREZZA AZIONATI MEDIANTE UNA BARRA ORIZZONTALE PANIC EXIT DEVICES

CON DENOMINAZIONE COMMERCIALE / WITH TRADE NAMES
Serie IDEA-BASE con scrocco in acciaio mod. 941000*4, 941000*5, 941000*6, 941000*7, 941000*8, 941000*9, 941000*10, 941000*11, 941000*12, 941000*13, 941000*14, 941000*15, 941000*16, 941000*17, 941000*18, 941000*19, 941000*20, 941000*21, 941000*22, 941000*23, 941000*24, 941000*25, 941000*26, 941000*27, 941000*28, 941000*29, 941000*30, 941000*31, 941000*32, 941000*33, 941000*34, 941000*35, 941000*36, 941000*37, 941000*38, 941000*39, 941000*40, 941000*41, 941000*42, 941000*43, 941000*44, 941000*45, 941000*46, 941000*47, 941000*48, 941000*49, 941000*50, 941000*51, 941000*52, 941000*53, 941000*54, 941000*55, 941000*56, 941000*57, 941000*58, 941000*59, 941000*60, 941000*61, 941000*62, 941000*63, 941000*64, 941000*65, 941000*66, 941000*67, 941000*68, 941000*69, 941000*70, 941000*71, 941000*72, 941000*73, 941000*74, 941000*75, 941000*76, 941000*77, 941000*78, 941000*79, 941000*80, 941000*81, 941000*82, 941000*83, 941000*84, 941000*85, 941000*86, 941000*87, 941000*88, 941000*89, 941000*90, 941000*91, 941000*92, 941000*93, 941000*94, 941000*95, 941000*96, 941000*97, 941000*98, 941000*99, 941000*100

CONFORME ALLA NORMA ED AL DOCUMENTO NORMATIVO ICIM
IN COMPLIANCE WITH THE STANDARD AND WITH ICIM NORMATIVE DOCUMENT

UNI EN 1125-08 - ICIM 0040CS

CON CLASSIFICAZIONE / WITH CLASSIFICATION
3 7 6 B 1 4 2 2 A A

ICIM S.p.A.

PRIMA EMISSIONE / FIRST ISSUE EMISSIONE CORRENTE / CURRENT ISSUE DATA DI SCADENZA / EXPIRING DATE

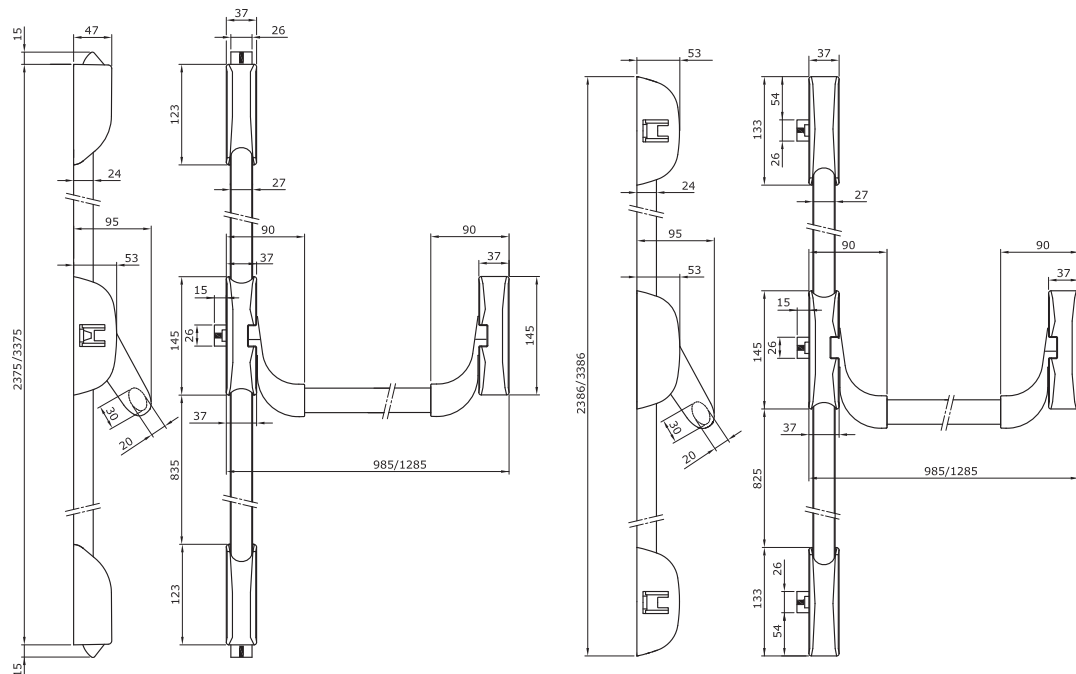
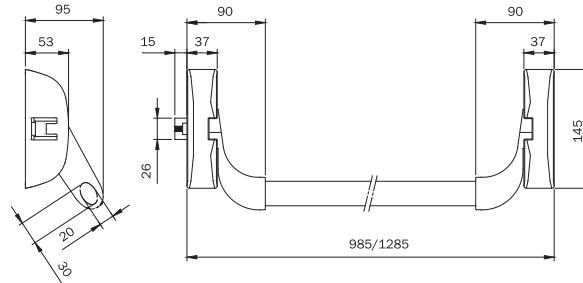
ICIM S.p.A. - Piazza Don Enrico Magelli, 73 - 20099 Sesto San Giovanni (MI)



Code

Min. ord.
Multiple
package
Single
package

IDEA Base PVD - Inox



“IDEA Base PVD - Inox” panic exit device, **MODULAR**, reversible, PVD - stainless steel finish. Prearranged for double and triple lateral locking. **Self-locking steel latch**, suitable for fire resistant doors.

Stainless steel keep 94100112. Two stainless steel fixing plates 94100042. Prearranged for top-bottom rods.

Top/bottom caps. Nylon spacer for external control. Template. Assembly instructions.

To be ordered separately:

Stainless steel bar 9459**

Rods and covers 94100202 for doors mm 2400.

Rods and covers 94100302 for doors mm 3400.

Pair of steel latches 941020**24

External control 94011002T / 94012002T knob

External cylinder 859000859

Microswitch 94100060

Hold-open device 94100070

Electric striker 56800*0

Extended handle follower 947880

Kit of gaskets fire doors 94000030

Steel fixing plate for fire doors 94100040

9414000524

1 - 1

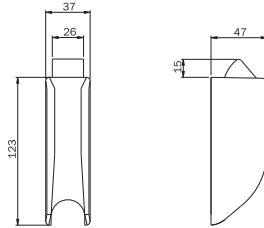
Before installation on fire/smoke resistant doors, please check the compatibility of the accessories.



Code

Min. ord.
Multiple
package
Single
package

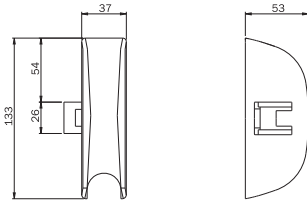
Accessories PVD finish - Inox



Pair of latches with PVD finish for **“IDEA Base PVD - Inox”** panic exit devices. Top/bottom vertical locking. Self-locking steel latch suitable for fire resistant doors. Keeps 94100112+94100127.

Fixing screws.

9410201524 1 - 1

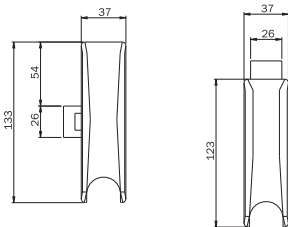


Pair of latches with PVD finish for **“IDEA Base PVD - Inox”** panic exit devices. Vertical locking.

Self-locking steel latch suitable for fire resistant doors. Two keeps 94100102.

Fixing screws.

9410203524 1 - 1



Pair of latches with PVD finish for **“IDEA Base PVD - Inox”** panic exit devices. Vertical locking.

Self-locking steel latch suitable for fire resistant doors. Two keeps 94100112.

Fixing screws.

9410204524 1 - 1



Stainless steel rods and covers for **“IDEA Base PVD - Inox”**.

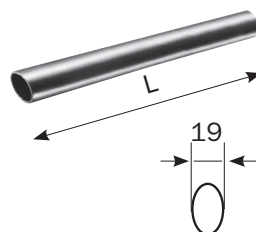
One keep for two wings, without spacers. **Cap for pushbar lateral latch.**

For doors with maximum height mm 2400

94100202 1 - 1

For doors with maximum height mm 3400

94100302 1 - 1



Stainless steel horizontal oval bar for panic exit devices **“IDEA Base”** - **“IDEA Bolt”**.

Length mm 1130

945922 1 - 1

Length mm 1330

945932 1 - 1

IDEA Base PVD - Inox: application scheme for single leaf doors

9414000524	●	●	●	●	●	●	●
9410201524		●			●		
9410204524				●			●
9410203524			●			●	
945922 L = 1130 945932 L = 1330	* ●	* ●	* ●	* ●	* ●	* ●	* ●
94100202 94100302		* ●	* ●	* ●	* ●	* ●	* ●
56800** 5680012	○		○ ○	○ ○		○ ○ ○	
94011002T 94021002	* ○	* ○	* ○	* ○	* ○	* ○	* ○
94012002T							
94100060	○	○	○	○	○	○	○
94100070	○	○	○	○	○	○	○

● = Necessary items (●● = 2 pcs, ●●● = 3 pcs)

* = Choose one item only

○ = Optional items (○○ = 2 pcs, ○○○ = 3 pcs)

IDEA Base PVD - Inox: application scheme for double doors

9414000524	● ●	● ●	● ●	● ●
9410201524	●	●	●	● ●
9410204524				
9410203524		●	●	
945922 L = 1130 945932 L = 1330	* ● ●	* ● ●	* ● ●	* ● ●
94100202 94100302	* ●	* ● ●	* ● ●	* ● ●
56800** + 5680012	△	△△	△△△	
94011002T 94021002	* ○	* ○	* ○	* ○
94012002T				
94100060	○ ○	○ ○	○ ○	○ ○
94100070	○ ○	○ ○	○ ○	○ ○

● = Necessary items (● ● = 2 pcs, ● ● ● = 3 pcs)

* = Choose one item only

○ = Optional items (○ ○ = 2 pcs, ○ ○ ○ = 3 pcs)

△ = The type of installation depends on the door frame

(△△ = 2 pcs, △△△ = 3 pcs)



Code

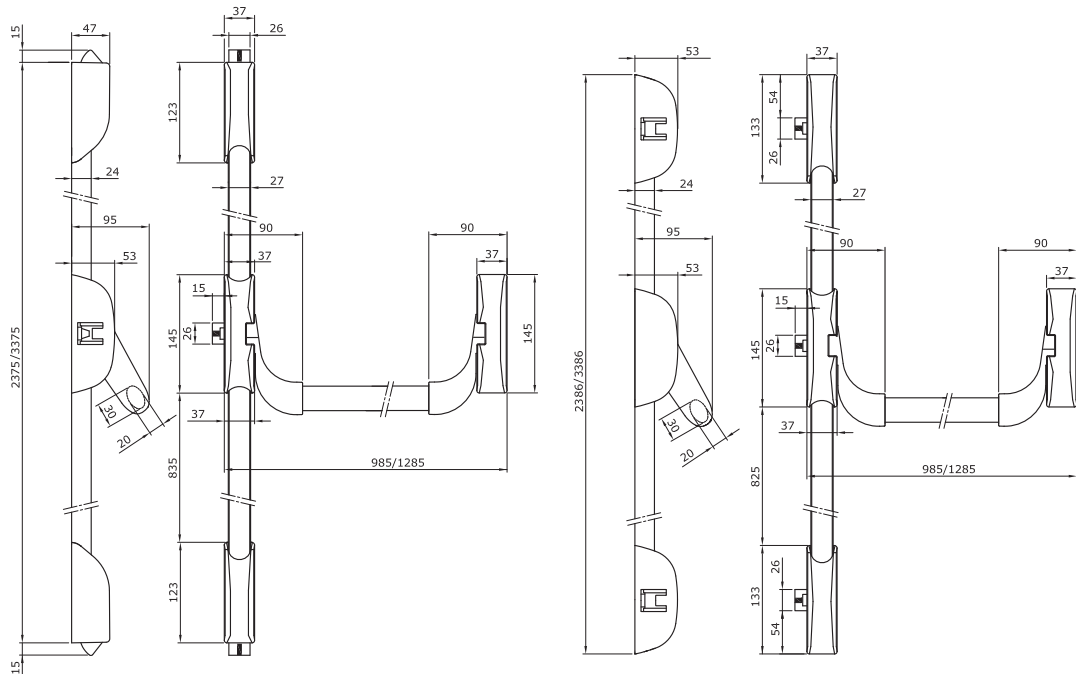
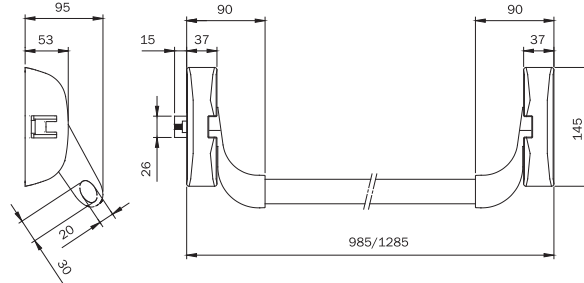
Multiple package
Single package

Min. ord.



IDEA Base ENDUR4NCE

NEW



“IDEA Base” panic exit device, **MODULAR**, reversible, **ENDUR4NCE** finish. Prearranged for double and triple lateral locking. **Self-locking stainless steel latch**, suitable for fire resistant doors.

Supplied with keeps. Prearranged for top-bottom rods.

Top/bottom caps. Nylon spacer for external control. Template. Assembly instructions.

To be ordered separately:

Stainless Bar 9459*R

Rods and covers 9410020R for doors mm 2400.

Rods and covers 9410030R for doors mm 3400.

Pair of INOX latches 941020*R04

External control 9401100RT / 9402100R / 9409130RE

External cylinder 859000859

Microswitch 94100060

Hold-open device 94100070

Electric striker 568000R

Extended handle follower 947880

Kit of gaskets fire doors 94000030

Steel fixing plate for fire doors 94100040

9414000R04

1 - 1

YES

Before installation on fire/smoke resistant doors, please check the compatibility of the accessories.



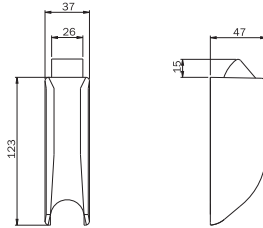
Code

Min. ord.
Multiple
package
Single
package



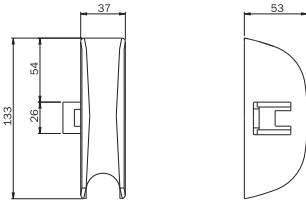
Accessories ENDUR4NCE finish

NEW



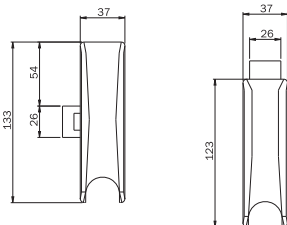
Pair of latches with **ENDUR4NCE** finish for **“IDEA Base”** panic exit devices. Top/bottom vertical locking.
Self-locking stainless steel latch suitable for fire resistant doors. Supplied with keeps.
Fixing screws.

9410201R04	1	-	1	YES
-------------------	---	---	---	-----



Pair of latches with **ENDUR4NCE** finish for **“IDEA Base”** panic exit devices. Vertical locking.
Self-locking stainless steel latch suitable for fire resistant doors. Supplied with keeps.
Fixing screws.

9410203R04	1	-	1	YES
-------------------	---	---	---	-----



Pair of latches with **ENDUR4NCE** finish for **“IDEA Base”** panic exit devices. Vertical locking.
Self-locking stainless steel latch suitable for fire resistant doors. Supplied with keeps.
Fixing screws.

9410204R04	1	-	1	YES
-------------------	---	---	---	-----



ENDUR4NCE finish rods and covers for **“IDEA Base”**.

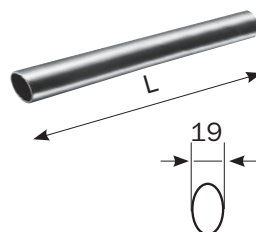
One keep for two wings, without spacers. **Cap for pushbar lateral latch.**

For doors with maximum height mm 2400

9410020R	1	-	1	YES
-----------------	---	---	---	-----

For doors with maximum height mm 3400

9410030R	1	-	1	YES
-----------------	---	---	---	-----



ENDUR4NCE finish **horizontal** oval bar for panic exit devices **“IDEA Base”**

Length mm 1130

94592R	1	-	1	YES
---------------	---	---	---	-----

Length mm 1330

94593R	1	-	1	YES
---------------	---	---	---	-----

IDEA Base ENDUR4NCE: application scheme for single leaf doors

9414000R04	●	●	●	●	●	●	●	
9410201R04		●			●			
9410204R04				●			●	
9410203R04			●			●		
94592R L = 1130 94593R L = 1330	* ●	* ●	* ●	* ●	* ●	* ●	* ●	
9410020R 9410030R		* ●	* ●	* ●	* ●	* ●	* ●	
568000R	○		○ ○	○ ○		○ ○ ○		
9401100RT 9402100R	* ○	* ○	* ○	* ○	* ○	* ○	* ○	
9409130RE	○							
94100060	○	○	○	○	○	○	○	
94100070	○	○	○	○	○	○	○	

- = Necessary items (● ● = 2 pcs, ● ● ● = 3 pcs)
- * = Choose one item only
- = Optional items (○ ○ = 2 pcs, ○ ○ ○ = 3 pcs)

IDEA Base ENDUR4NCE: application scheme for double doors

9414000R04	● ●	● ●	● ●	● ●
9410201R04	●	●	●	● ●
9410204R04				
9410203R04		●	●	
94592R L = 1130 94593R L = 1330	* ● ●	* ● ●	* ● ●	* ● ●
9410020R 9410030R	* ●	* ● ●	* ● ●	* ● ●
568000R	△	△ △	△ △ △	
9401100RT 9402100R	* ○	* ○	* ○	* ○
9409130RE				
94100060	○ ○	○ ○	○ ○	○ ○
94100070	○ ○	○ ○	○ ○	○ ○

● = Necessary items (● ● = 2 pcs, ● ● ● = 3 pcs)

* = Choose one item only

○ = Optional items (○ ○ = 2 pcs, ○ ○ ○ = 3 pcs)

△ = The type of installation depends on the door frame

(△ △ = 2 pcs, △ △ △ = 3 pcs)

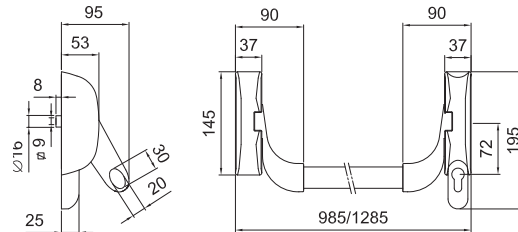


Code

Min. ord.
Multiple
package
Single
package



IDEA Base zamak latches



“IDEA Base” panic exit device, **LATERAL LOCKING**, reversible. Painted black.

Zamak latch without self-locking device. Keep 94100110. Nylon spacer for external control.

Template. Assembly instructions.

To be ordered separately:

Bar 9459** - External control 9401* +9402*

External cylinder 859000857/9

Microswitch 94100060

Hold-open kit 94100070

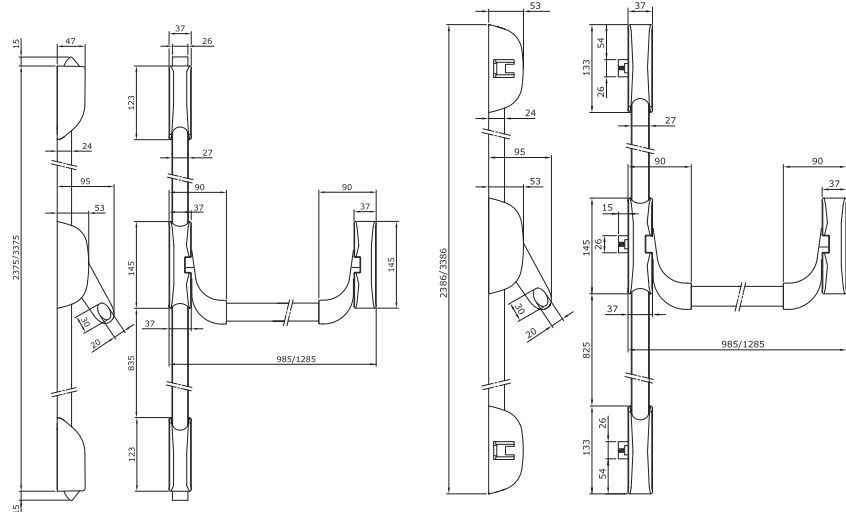
Electric striker 56800*0

Painted black

9411000505

1 - 1

YES



“IDEA Base” panic exit device, **DOUBLE VERTICAL LOCKING** reversible. Painted black. Prearranged for top/bottom rods. Nylon spacer for external control. Template. Assembly instructions.

To be ordered separately:

Bar 9459**

Rods and covers 94100205 for doors mm 2400.

Rods and covers 94100305 for doors mm 3400.

Pair of zamak latches 941020**05 External control 9401* +9402*

External cylinder 859000857/9

Microswitch 94100060

Hold-open kit 94100070

Painted black

9412000505

1 - 1

YES

WHITE AND METAL GREY ON REQUEST

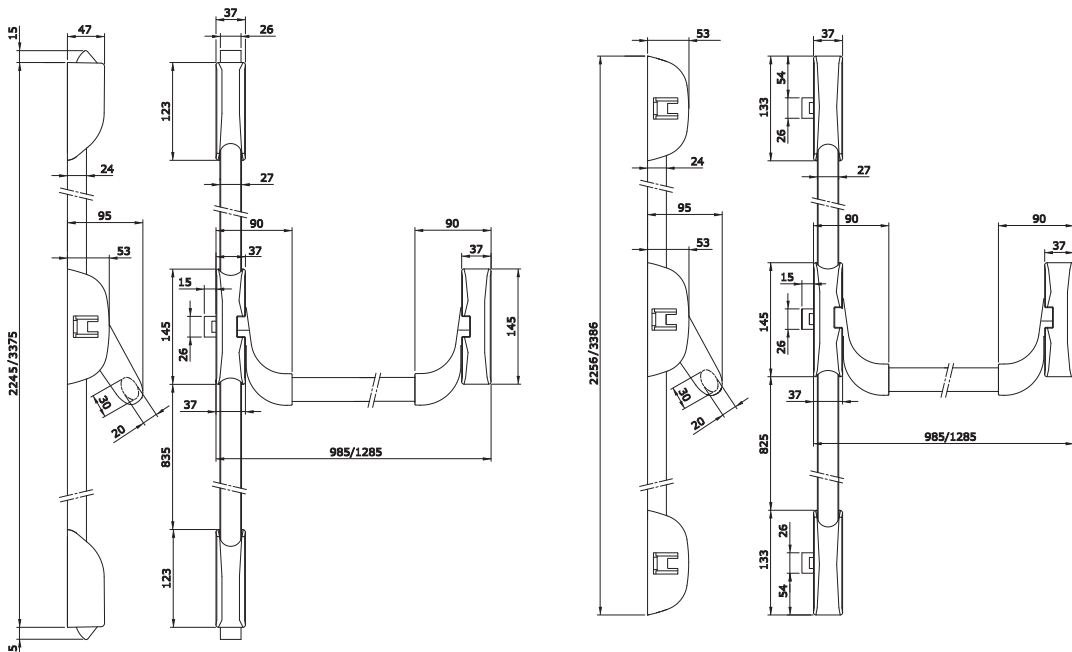
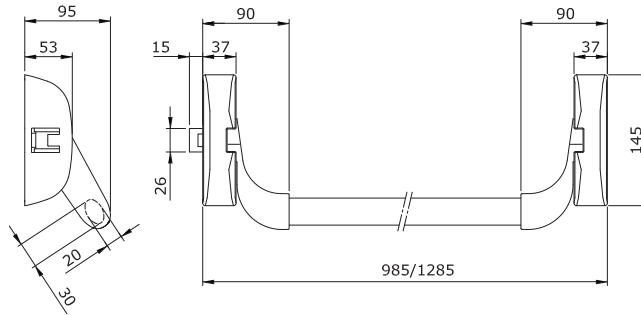


Code

Min. ord.
Multiple
package
Single
package



IDEA Base zamak latches



“IDEA Base” panic exit device, **MODULAR**, reversible. Painted black. Prearranged for double and triple lateral locking.
Zamak latch without self-locking function. Keep 94100110. Prearranged for top/bottom rods.
 Caps for top/bottom holes. Nylon spacer for external control. Template. Assembly instructions.

To be ordered separately:

- Bar 9459**
- Rods and covers 94100205 for doors mm 2400.
- Rods and covers 94100305 for doors mm 3400.
- Pair of zamak latches 941020**05
- External control 9401* +9402*
- External cylinder 859000857/9
- Microswitch 94100060
- Hold-open kit 94100070
- Electric striker 56800*0
- Painted black

9414000505	1	-	1	YES
-------------------	---	---	---	-----

WHITE AND METAL GREY ON REQUEST



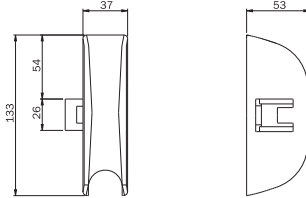
Code

Multiple package
Single package

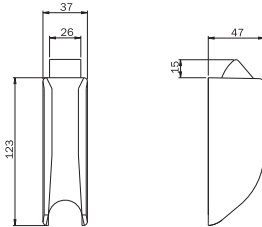
Min. ord.



Zamak latches

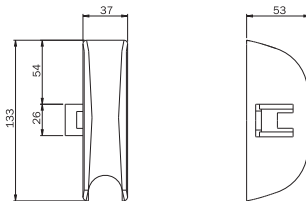


Latch for "IDEA Base" panic exit device. Painted black. Fixing screws. **9410003505** 1 - 1 YES



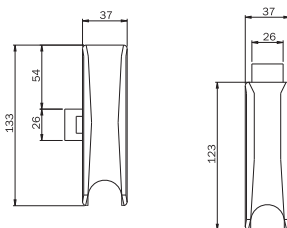
Pair of latches for "IDEA Base" panic exit devices. Painted black.
Top/bottom vertical locking. Zamak latch without self-locking function.
Only for panic exit doors.
Keeps 94100110+94100120. Fixing screws.

9410201505 1 - 1 YES



Pair of latches for "IDEA Base" panic exit devices. Painted black.
Vertical locking. Zamak latch without self-locking function.
Only for panic exit doors.
Two keeps 94100100. Fixing screws.

9410203505 1 - 1 YES



Pair of latches for "IDEA Base" panic exit devices. Painted black.
Top vertical locking and lateral bottom locking. Zamak latch without self-locking function.
Only for panic exit doors.
Two keeps 94100100. Fixing screws.

9410204505 1 - 1 YES

WHITE AND METAL GREY ON REQUEST

IDEA Base zamak latches: application scheme for single leaf doors

9411000*05	(A) ● (B)	(A) ● (B)	(A) ● (B)	(A) ● (B)				
9412000505		●	●	●				
9414000*05			●	●	●	●	●	●
9410201*05		●				●		
9410204*05					●			●
9410203*05			●			●		
94592* L = 1130 94593* L = 1330	* ●	* ●	* ●	* ●	* ●	* ●	* ●	* ●
9410020* 9410030*		* ●	* ●	* ●	* ●	* ●	* ●	* ●
56800**	○		○ ○	○ ○		○ ○ ○	○ ○ ○	
9401100*T 9401101*T 9401200*T 9401300*T 9401400*T 9401500*T 9402100*T 9402102*	* ○	* ○	* ○	* ○	* ○	* ○	* ○	* ○
9409130*E								
94100060	○	○	○	○	○	○	○	○
94100040	○ ○	○ ○	○ ○	○ ○	○ ○	○ ○	○ ○	○ ○
94100050		○ ○	○ ○	○ ○	○ ○	○ ○	○ ○	○ ○
94100070	○	○	○	○	○	○	○	○

(A) (B) = Choice among proposed options as shown above
 ● = Necessary items (● ● = 2 pcs, ● ● ● = 3 pcs)
 * = Choose one item only
 ○ = Optional items (○ ○ = 2 pcs, ○ ○ ○ = 3 pcs)

IDEA Base zamak latches: application scheme for double doors

9411000*05	(A) ● (B) ● (C)	(A) ● (B) ● ●	(A) ● (B) ● ●	(A) ● ● (B) ● ●
9412000505				
9414000*05	● ● ● ●	● ● ● ●	● ● ● ●	● ● ● ●
9410201*05		●	●	● ●
9410204*05				
9410203*05		●	●	
94592* L = 1130 94593* L = 1330	* ● ●	* ● ●	* ● ●	* ● ●
9410020* 9410030*	* ●	* ● ●	* ● ●	* ● ●
56800***	△	△ △	△ △ △	
9401100*T 9401101*T 9401200*T 9401300*T 9401400*T 9401500*T 9402100*T 9402102*	* ○	* ○	* ○	* ○
9409130*E				
94100060	○ ○	○ ○	○ ○	○ ○
94100040	○ ○ ○ ○	○ ○ ○ ○	○ ○ ○ ○	○ ○ ○ ○
94100050	○ ○	○ ○ ○ ○	○ ○ ○ ○	○ ○ ○ ○
94100070	○ ○	○ ○	○ ○	○ ○

(A) (B) (C) = Choice among proposed options as shown above

● = Necessary items (● ● = 2 pcs, ● ● ● = 3 pcs)

* = Choose one item only

○ = Optional items (○ ○ = 2 pcs, ○ ○ ○ = 3 pcs)

△ = The type of installation depends on the door frame

(△ △ = 2 pcs, △ △ △ = 3 pcs)



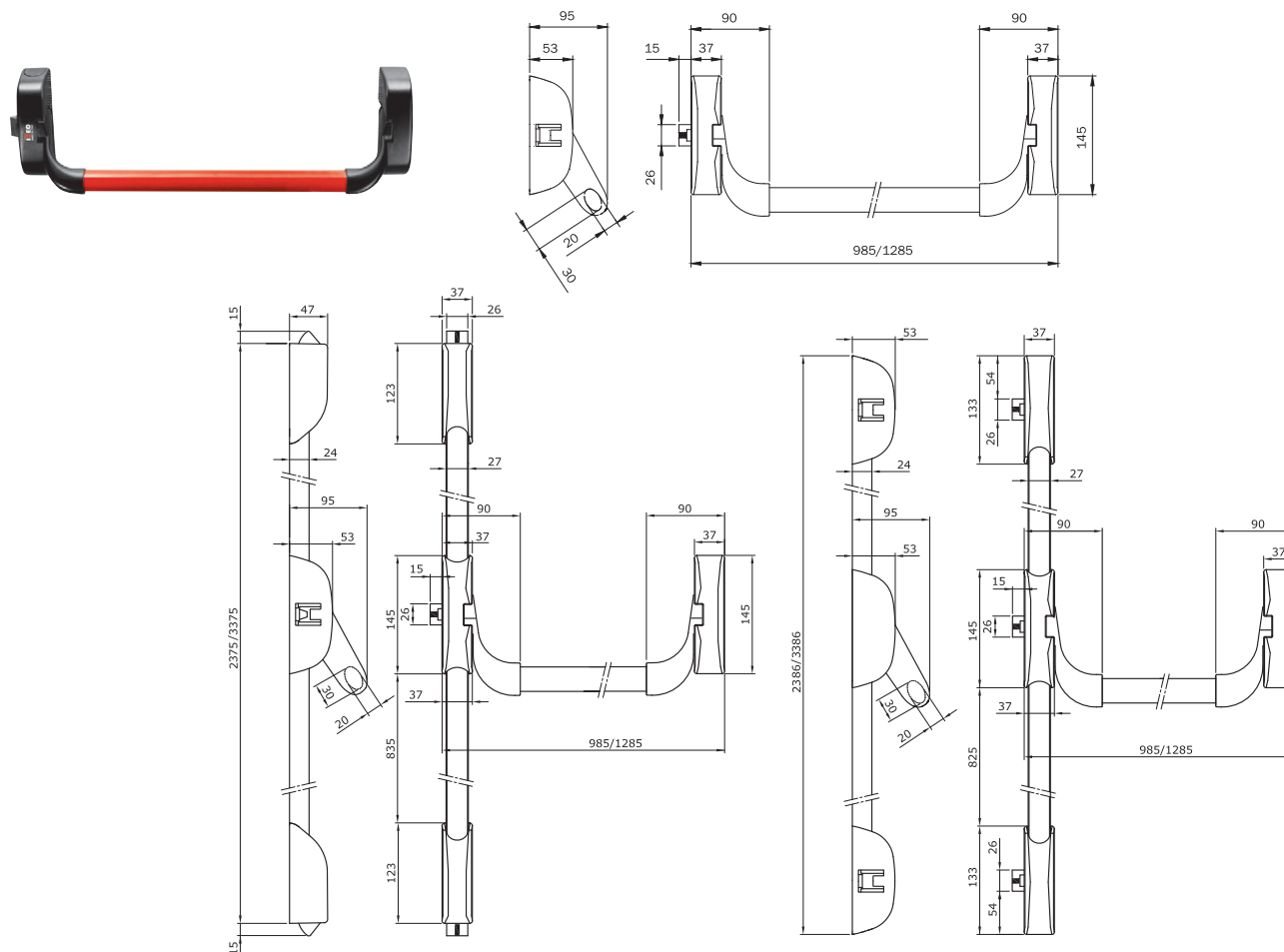
Code

Multiple package
Single package

Min. ord.



IDEA Base steel latches



“IDEA Base” panic exit device, **MODULAR**, reversible. Prearranged for double and triple lateral locking.

Steel latch with self-locking function. Suitable for **FIRE DOORS**. Keep 9410011*.

Prearranged for top/bottom rods. Caps for top/bottom holes. Nylon spacer for external control.

Template. Assembly instructions.

To be ordered separately:

Bar 9459**

Rods and covers 9410020* for doors mm 2400.

Rods and covers 9410030* for doors mm 3400.

Pair of steel latches 941020**04

External control 9401* +9402*

External cylinder 859000857/9 - Microswitch 94100060

Hold-open kit 94100070 - Electric striker 56800*0

Kit of gaskets for fire doors 94000030

Bar steel fixing plate for fire doors 94100040

Painted white	9414000404	1	-	1	YES
Painted black	9414000504	1	-	1	YES
Painted metal grey	9414000704	1	-	1	YES

Before installation on fire/smoke resistant doors, please check the compatibility of the accessories.

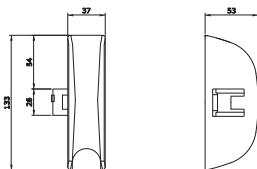


Code

Min. ord.
Multiple package
Single package

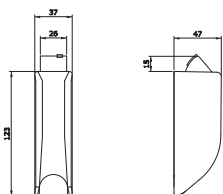


Steel latches



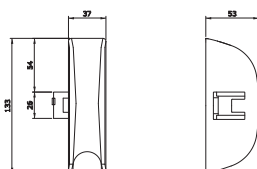
Painted latch for panic exit devices "IDEA Base" and "Push". Self-locking steel latch suitable for fire resistant doors. Fixing screws.

Painted white	9410003404	1	-	1	YES
Painted black	9410003504	1	-	1	YES
Painted metal grey	9410003704	1	-	1	YES



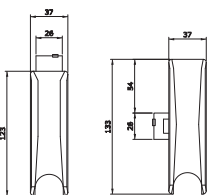
Pair of painted latches for panic exit devices "IDEA Base" and "Push". Top and bottom vertical locking. Self-locking steel latch suitable for fire resistant doors. Keeps 94100110+94100120. Fixing screws.

Painted white	9410201404	1	-	1	YES
Painted black	9410201504	1	-	1	YES
Painted metal grey	9410201704	1	-	1	YES



Pair of painted latches for panic exit devices "IDEA Base" and "Push". Top and bottom lateral locking. Self-locking steel latch suitable for fire resistant doors. Two keeps 94100100. Fixing screws.

Painted white	9410203404	1	-	1	YES
Painted black	9410203504	1	-	1	YES
Painted metal grey	9410203704	1	-	1	YES



Pair of painted latches for panic exit devices "IDEA Base" and "Push". Top vertical and bottom lateral locking. Two keeps 94100110. Fixing screws.

Painted grey	9410204304	1	-	1	YES
Painted black	9410204504	1	-	1	YES
Painted metal grey	9410204704	1	-	1	YES

■ = Discontinued



Code

Min. ord.
Multiple
package
Single
package



Accessories

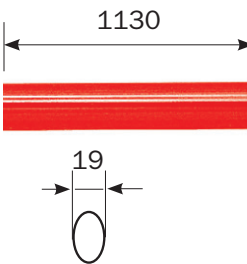


Rods and covers. One keep for two wings, without spacers.

Cap for bar lateral latch.

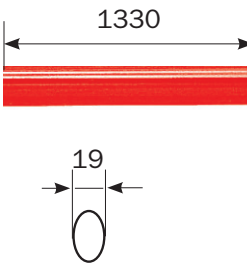


For doors with maximum height mm 2400 painted white	94100204	1	-	1	YES
For doors with maximum height mm 2400 painted black	94100205	1	-	1	YES
For doors with maximum height mm 2400 painted metal grey	94100207	1	-	1	YES
For doors with maximum height mm 3400 painted white	94100304	1	-	1	YES
For doors with maximum height mm 3400 painted black	94100305	1	-	1	YES
For doors with maximum height mm 3400 painted metal grey	94100307	1	-	1	YES



Horizontal oval bar for panic exit devices "IDEA Base" - "IDEA Bolt". Length mm **1130**

Stainless steel	945922	1	-	1	NO
ENDUR4NCE	94592R	1	-	1	YES
Painted white	945924	1	-	1	YES
Painted black	945925	1	-	1	YES
Painted metal grey	945927	1	-	1	YES
Painted red	945928	1	-	1	YES
Painted green RAL 6029	94592V	1	-	1	YES



Horizontal oval bar for panic exit devices "IDEA Base" - "IDEA Bolt". Length mm **1330**

Stainless steel	945932	1	-	1	NO
ENDUR4NCE	94593R	1	-	1	YES
Painted metal grey	945937	1	-	1	YES
Painted red	945938	1	-	1	YES

IDEA Base steel latches: application scheme for single leaf doors

9412000505		(A) ● (B) ●	(A) ● (B) ●	(A) ● (B) ●			
9414000*04	●	●	●	●	●	●	●
9410201*04		●			●		
9410204*04				●			●
9410203*04			●			●	
94592* L = 1130 94593* L = 1330	* ●	* ●	* ●	* ●	* ●	* ●	* ●
9410020* 9410030*		* ●	* ●	* ●	* ●	* ●	* ●
56800**	○		○ ○	○ ○		○ ○ ○	○ ○ ○
9401100*T 9401101*T 9401200*T 9401300*T 9401400*T 9401500*T 9402100*T 9402102*	* ○	* ○	* ○	* ○	* ○	* ○	* ○
9409130*E							
94100060	○	○	○	○	○	○	○
94100040	○ ○	○ ○	○ ○	○ ○	○ ○	○ ○	○ ○
94100050		○ ○	○ ○	○ ○	○ ○	○ ○	○ ○
94100070	○	○	○	○	○	○	○

(A) (B) = Choice among proposed options as shown above
 ● = Necessary items (●● = 2 pcs, ●●● = 3 pcs)
 * = Choose one item only
 ○ = Optional items (○○ = 2 pcs, ○○○ = 3 pcs)

IDEA Base steel latches: application scheme for double doors

9414000*04	(A) ● (B) ●●	(A) ●● (B) ●●	(A) ● (B) ●●	(A) ●● (B) ●●
9412000505	●	●●	● ●●	●● ●●
9410201*04	●	●	●	●●
9410204*04				
9410203*04		●	●	
94592* L = 1130 94593* L = 1330	* ●●	* ●●	* ●●	* ●●
9410020* 9410030*	* ●	* ●●	* ●●	* ●●
56800**	△	△△	△△△	
9401100*T 9401101*T 9401200*T 9401300*T 9401400*T 9401500*T 9402100*T 9402102*	* ○	* ○	* ○	* ○
9409130*E				
94100060	○ ○	○ ○	○ ○	○ ○
94100040	○ ○ ○ ○	○ ○ ○ ○	○ ○ ○ ○	○ ○ ○ ○
94100050	○ ○	○ ○ ○ ○	○ ○ ○ ○	○ ○
94100070	○ ○	○ ○	○ ○	○ ○

(A) (B) = Choice among proposed options as shown above

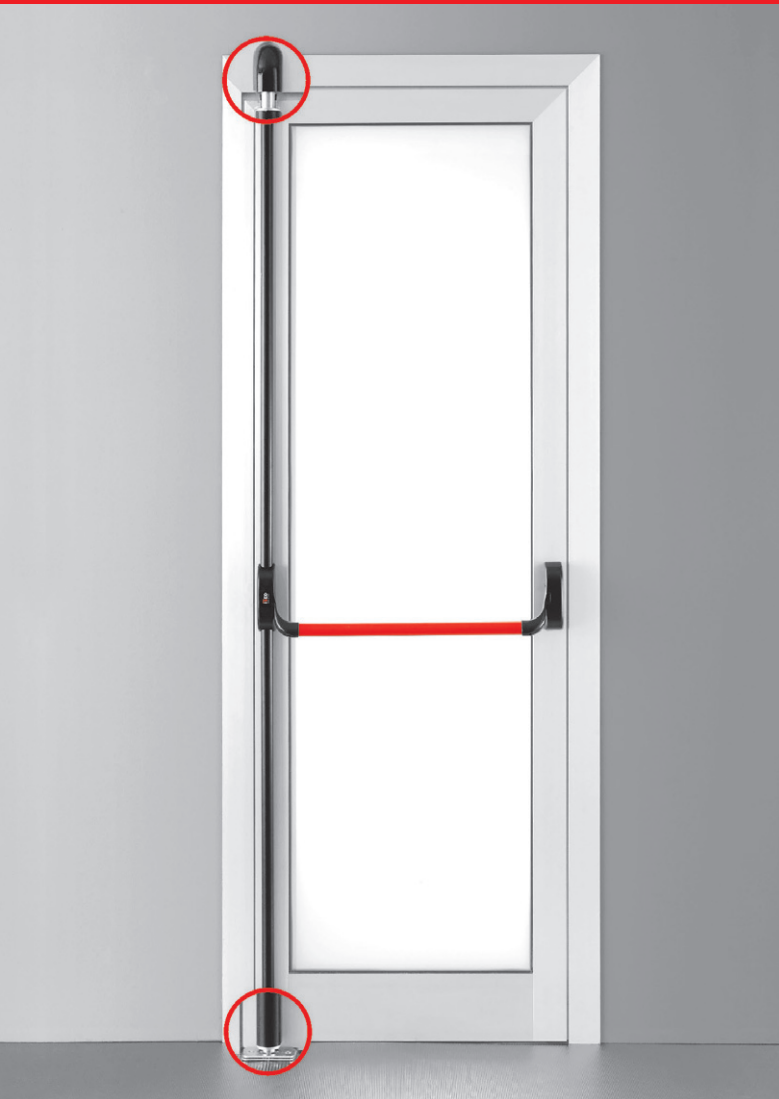
● = Necessary items (●● = 2 pcs, ●●● = 3 pcs)

* = Choose one item only

○ = Optional items (○○ = 2 pcs, ○○○ = 3 pcs)

△ = The type of installation depends on the door frame

(△△ = 2 pcs, △△△ = 3 pcs)



IDEA Bolt.

**Patented keep
for coplanar and
rebated doors.**

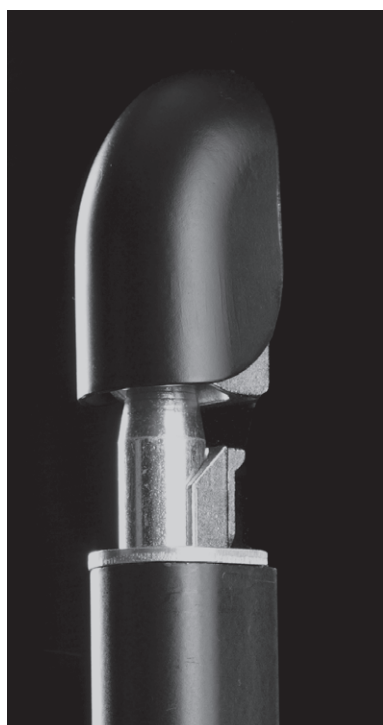


IDEA Bolt

■ **Amazing design even for the best architects.**

■ **Simplified installation.**

■ **Guaranteed operation even with a door misalignment of up to 8 mm.**



■ **Patented keep.**

■ **Double security thanks to the anti-cut rotating closing metal points Ø 14 mm.**

■ **Suitable for all types of frames (aluminium, steel, PVC, wooden).**

■ **Adjustable top/bottom locking without projecting floor keeps.**

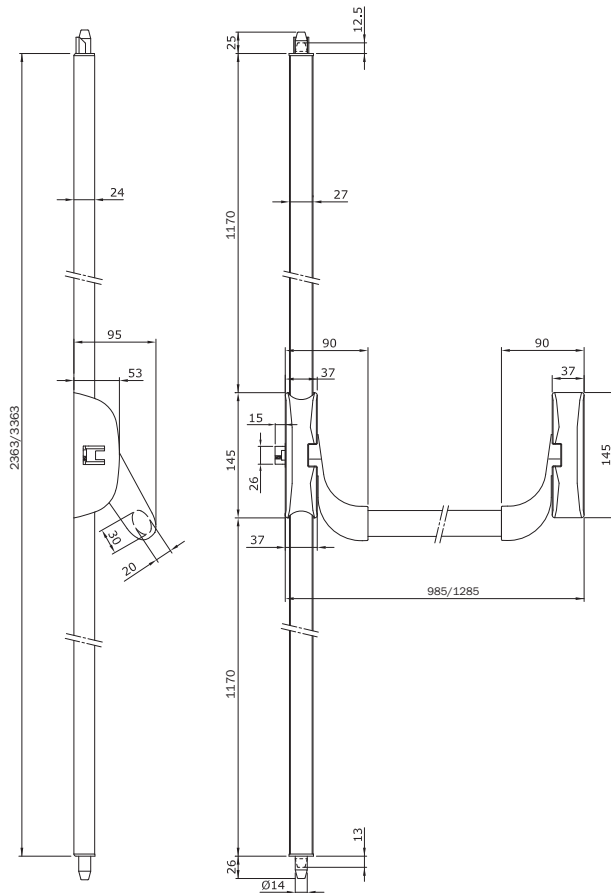
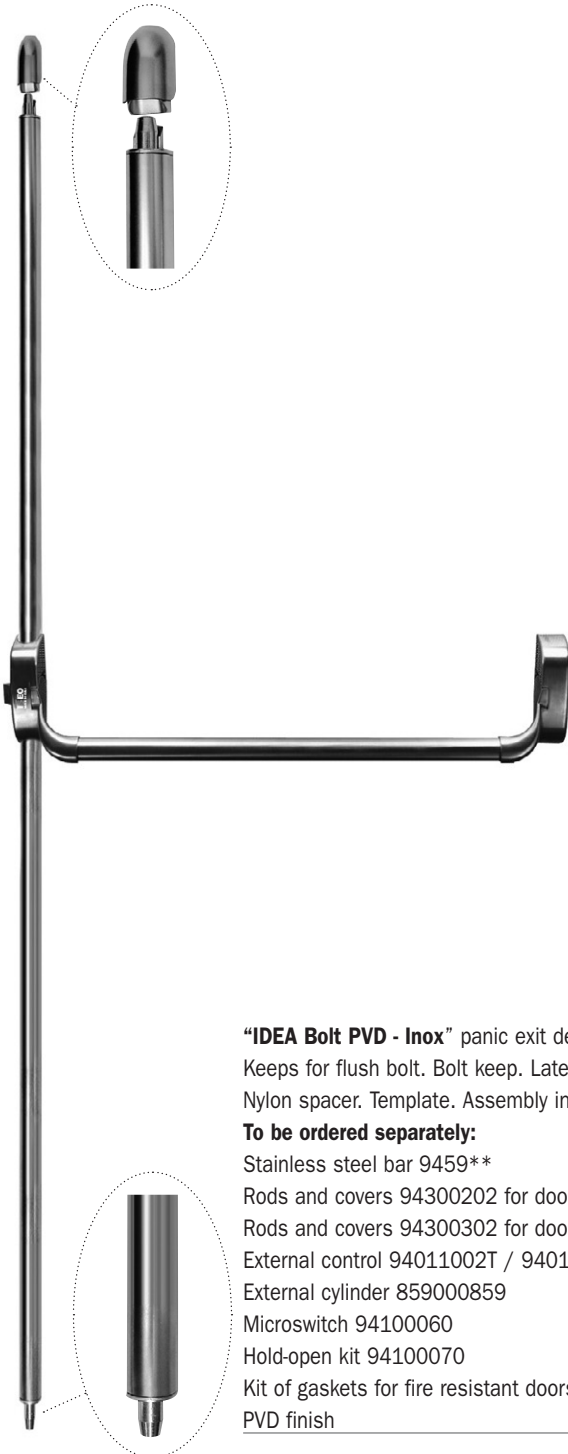


Code

Multiple package
Single package

Min. ord.

IDEA Bolt PVD - Inox



“IDEA Bolt PVD - Inox” panic exit device, **TRIPLE VERTICAL LOCKING**, reversible, self-locking steel latchbolt. Keeps for flush bolt. Bolt keep. Lateral keep. Self-locking top/bottom flush bolt. Nylon spacer. Template. Assembly instructions. Can be used with an external control.

To be ordered separately:

- Stainless steel bar 9459**
- Rods and covers 94300202 for doors mm 2400.
- Rods and covers 94300302 for doors mm 3400.
- External control 94011002T / 94012002T knob
- External cylinder 859000859
- Microswitch 94100060
- Hold-open kit 94100070
- Kit of gaskets for fire resistant doors 94000030
- PVD finish

9433000224

1 - 1

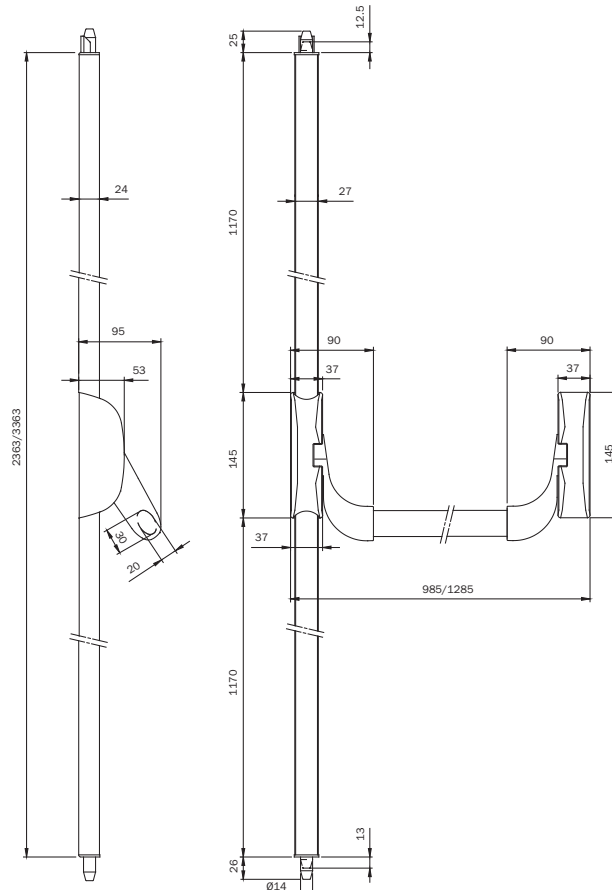
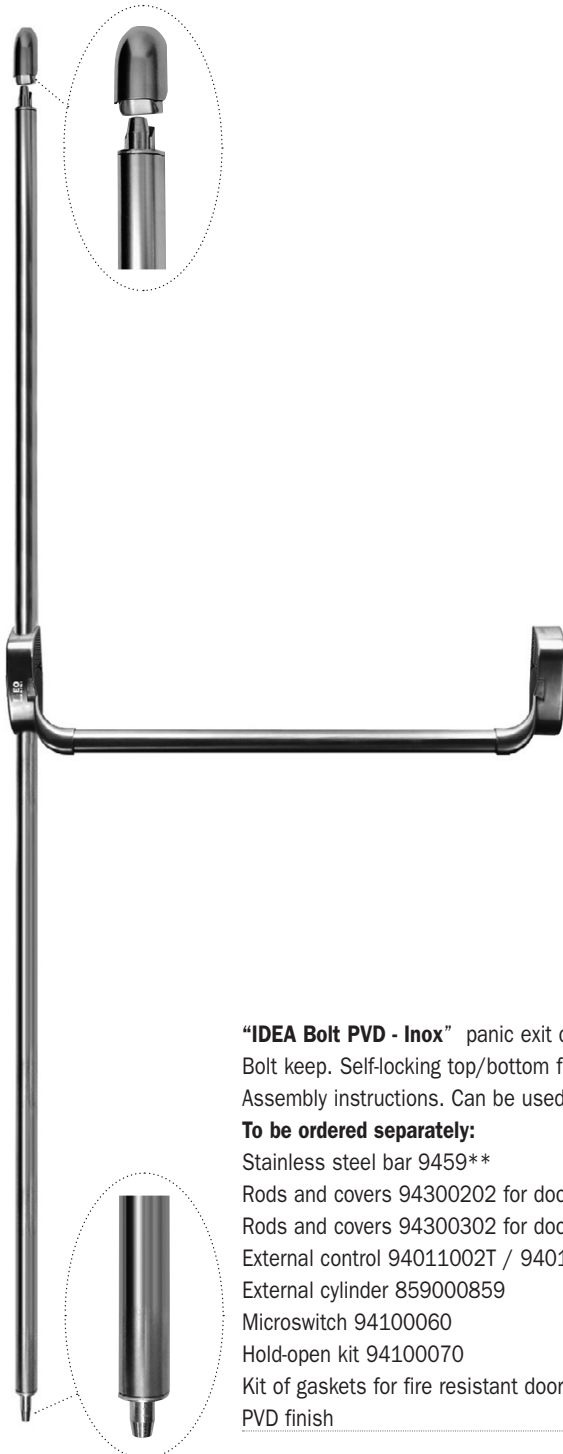
Before installation on fire/smoke resistant doors, please check the compatibility of the accessories.



Code

Min. ord.
Multiple
package
Single
package

IDEA Bolt PVD - Inox



“IDEA Bolt PVD - Inox” panic exit device, **DOUBLE VERTICAL LOCKING**, reversible. Keeps for flush bolt. Bolt keep. Self-locking top/bottom flush bolt. Nylon spacer. Template. Assembly instructions. Can be used with an external control.

To be ordered separately:

- Stainless steel bar 9459**
- Rods and covers 94300202 for doors mm 2400.
- Rods and covers 94300302 for doors mm 3400.
- External control 94011002T / 94012002T knob
- External cylinder 859000859
- Microswitch 94100060
- Hold-open kit 94100070
- Kit of gaskets for fire resistant doors 94000030
- PVD finish

9432000224

1 - 1

Before installation on fire/smoke resistant doors, please check the compatibility of the accessories.



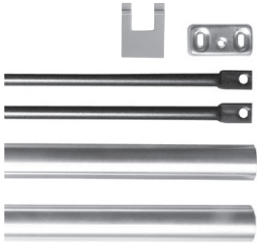
Code

Single
package

Multiple
package

Min. ord.

Accessories



Stainless steel rods and covers for **"IDEA Base PVD - Inox"**.

One keep for two wings, without spacers. **Cap for pushbar lateral latch.**

For doors with maximum height mm 2400

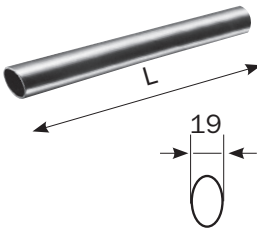
94300202

1 - 1

For doors with maximum height mm 3400

94300302

1 - 1



Stainless steel horizontal oval bar for panic exit devices **"IDEA Base"** - **"IDEA Bolt"**.

Length mm 1130

945922

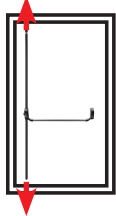
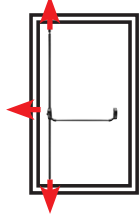

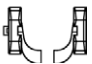






1 - 1

Length mm 1330

945932

1 - 1

IDEA Bolt PVD - Inox: application scheme for single leaf doors

			
9432000224 		●	
9433000224 			●
945922 L = 1130 945932 L = 1330 		* ●	* ●
94300202 BOLT 94300302 BOLT 		* ●	* ●
94011002T 94021002 		* ○	* ○
94012002T 			
94100060 		○	○
94100070 		○	○

● = Necessary items (●● = 2 pcs, ●●●● = 3 pcs)

* = Choose one item only

○ = Optional items (○○ = 2 pcs, ○○○○ = 3 pcs)

IDEA Bolt PVD - Inox: application scheme for double doors

9432000224					
9414000524					
9410203524					
945922 L = 1130 945932 L = 1330					
94300202 BOLT 94300302 BOLT					
94100202 94100302					
56800** 94021002					
94011002T 94021002					
94012002T					
94100060					
94100070					

● = Necessary items (●● = 2 pcs, ●●● = 3 pcs)

* = Choose one item only

○ = Optional items (○○ = 2 pcs, ○○○ = 3 pcs)

△ = The type of installation depends on the door frame

(△△ = 2 pcs, △△△ = 3 pcs)



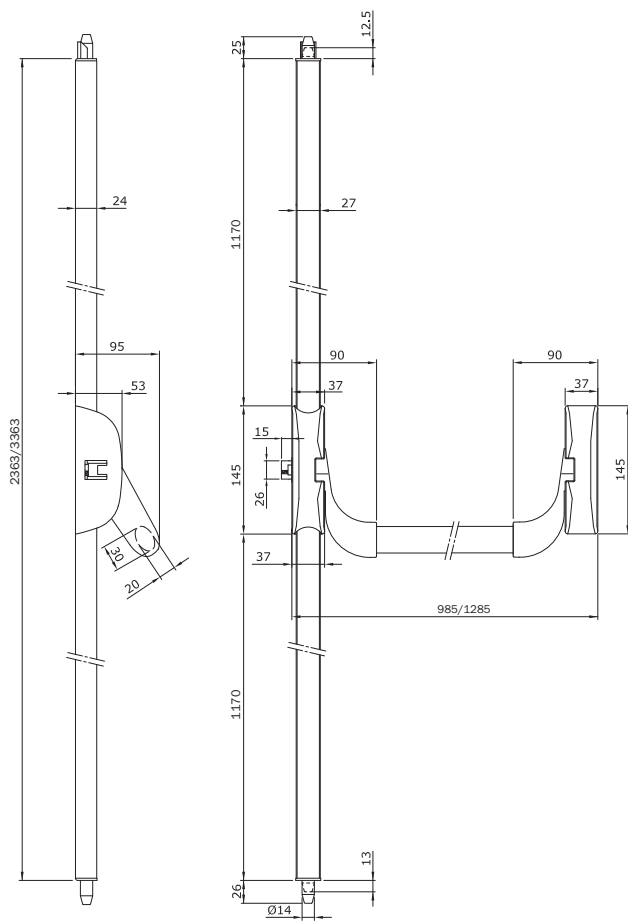
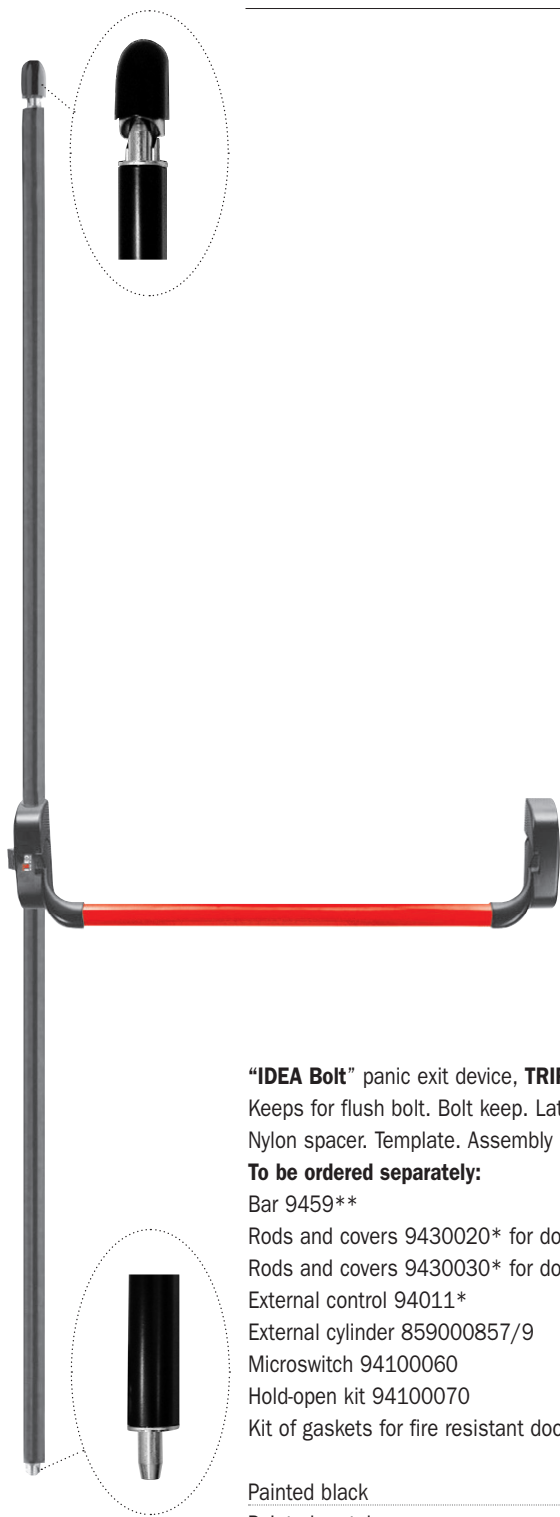
Code

Multiple package
Single package

Min. ord.



IDEA Bolt



“IDEA Bolt” panic exit device, **TRIPLE VERTICAL LOCKING**, reversible, self-locking steel latchbolt. Keeps for flush bolt. Bolt keep. Lateral keep. Self-locking top/bottom flush bolt. Nylon spacer. Template. Assembly instructions.

To be ordered separately:

- Bar 9459**
- Rods and covers 9430020* for doors mm 2400.
- Rods and covers 9430030* for doors mm 3400.
- External control 94011*
- External cylinder 859000857/9
- Microswitch 94100060
- Hold-open kit 94100070
- Kit of gaskets for fire resistant doors 94000030

Painted black	9433000504	1	-	1	YES
Painted metal grey	9433000704	1	-	1	YES

Before installation on fire/smoke resistant doors, please check the compatibility of the accessories.



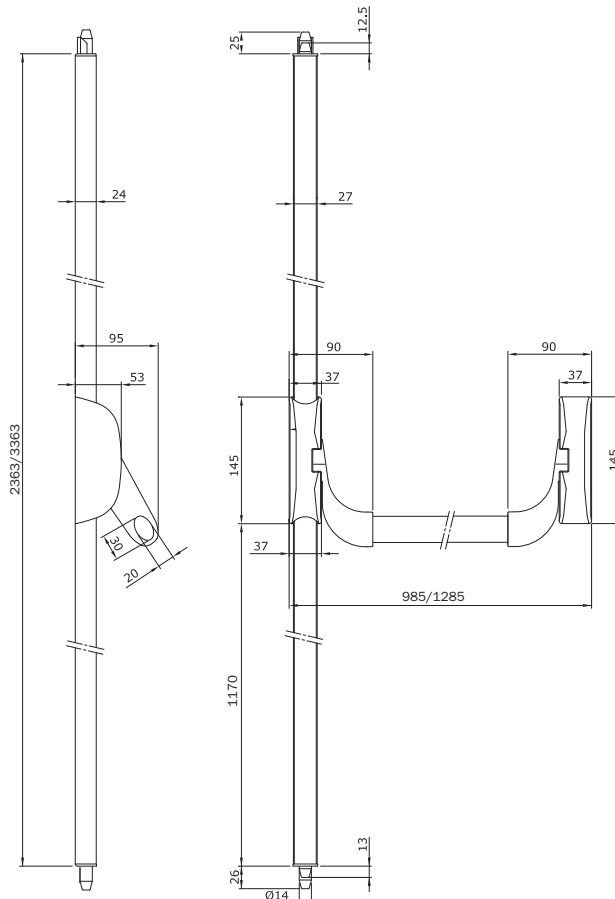
Code

Multiple package
Single package

Min. ord.



IDEA Bolt



“IDEA Bolt” panic exit device, **DOUBLE VERTICAL LOCKING**, reversible. Keep for flush bolt. Bolt keep. Self-locking top/bottom flush bolt. Nylon spacer. Template. Assembly instructions.

To be ordered separately:

- Bar 9459**
- Rods and covers 9430020* for doors mm 2400.
- Rods and covers 9430030* for doors mm 3400.
- External control 9401*
- External cylinder 859000857/9
- Microswitch 94100060
- Hold-open kit 94100070
- Kit of gaskets for fire resistant doors 94000030

Painted grey	■ 9432000304	1	-	1	YES
Painted white	9432000404	1	-	1	YES
Painted black	9432000504	1	-	1	YES
Painted metal grey	9432000704	1	-	1	YES

Before installation on fire/smoke resistant doors, please check the compatibility of the accessories.

■ = Discontinued



Code

Single package
Multiple package

Min. ord.



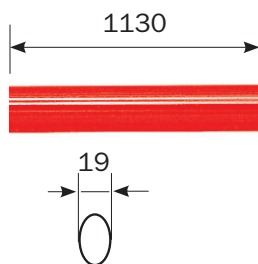
Accessories



Rods and covers. One keep for two wings, without spacers.

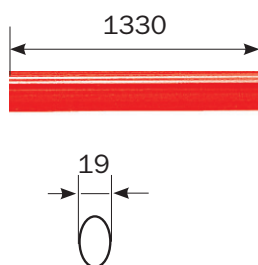
Cap for bar lateral latch.

For doors with maximum height mm 2400 painted white	94300204	1	-	1	YES
For doors with maximum height mm 2400 painted black	94300205	1	-	1	YES
For doors with maximum height mm 2400 painted metal grey	94300207	1	-	1	YES
For doors with maximum height mm 3400 painted white	94300304	1	-	1	YES
For doors with maximum height mm 3400 painted black	94300305	1	-	1	YES
For doors with maximum height mm 3400 metal grey	94300307	1	-	1	YES



Horizontal oval bar for panic exit devices "IDEA Base" - "IDEA Bolt". Length mm **1130**

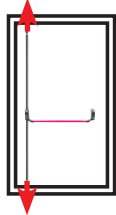
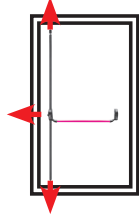

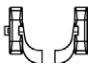






Stainless steel	945922	1	-	1	NO
finish ENDUR4NCE	94592R	1	-	1	YES
Painted white	945924	1	-	1	YES
Painted black	945925	1	-	1	YES
Painted metal grey	945927	1	-	1	YES
Painted red	945928	1	-	1	YES
Painted green RAL 6029	94592V	1	-	1	YES



Horizontal oval bar for panic exit devices "IDEA Base" - "IDEA Bolt". Length mm **1330**

Stainless steel	945932	1	-	1	NO
finish ENDUR4NCE	94593R	1	-	1	YES
Painted metal grey	945937	1	-	1	YES
Painted red	945938	1	-	1	YES

IDEA Bolt: application scheme for single leaf doors

			
9432000*04		*	
9433000*04		*	●
94592* L = 1130 94593* L = 1330		*	*
9430020* BOLT 9430030* BOLT		*	*
9401100*T 9401101*T 9401200*T 9401300*T 9401400*T 9401500*T 9402100*T 9402102*		*	*
9409130*E		○	○
94100060		○	○
94100070		○	○

● = Necessary items (●● = 2 pcs, ●●● = 3 pcs)

* = Choose one item only

○ = Optional items (○○ = 2 pcs, ○○○ = 3 pcs)

IDEA Bolt: application scheme for double doors

9432000*04 				
9414000*04 				
9410203*04 				
94592* L = 1130 94593* L = 1330 				
9430020* BOLT 9430030* BOLT 				
9410020* 9410030* 				
56800** 				
9401100*T 9401101*T 9401200*T 9401300*T 9401400*T 9401500*T 9402100*T 9402102* 				
9409130*E 				
94100060 				
94100070 				

● = Necessary items (●● = 2 pcs, ●●● = 3 pcs)

* = Choose one item only

○ = Optional items (○○ = 2 pcs, ○○○ = 3 pcs)

△ = The type of installation depends on the door frame

(△△ = 2 pcs, △△△ = 3 pcs)



Code

Multiple
package
Single
package

Min. ord.



Push SIRENA

Panic exit device with acoustic alarm.

When the alarm is on, the device emits a strong acoustic signal (90dB) every time the bar is pressed, thus providing the emergency exit with further security against thefts and/or unauthorized opening. It is compatible with ISEO **Push** range and can be easily mounted in retrofit on panic exit devices already installed.

The battery operation without external power allows for a quick, easy and cost-effective installation.

A selector connected to a key-operated European single profile cylinder (included) is used to program the functions and set the device status (alarm off, alarm on, courtesy).

Device functions and features:

- "Break" function to exit without alarm.
- Alarm reset only by key.
- Acoustic signals. 2 Led signals showing devices status and battery charge.
- Powered by 2 AA alkaline batteries (over 2 years' life without alarm)
- 3-level discharged battery signal allowing for scheduled replacement
- Selector compatible with European single profile cylinders (size 30+10) with 8-position DIN cam.



Acoustic alarm device kit for ISEO Push range

Painted white	94200094	1	-	1	YES
Painted black	94200095	1	-	1	YES
Painted metal grey	94200097	1	-	1	YES



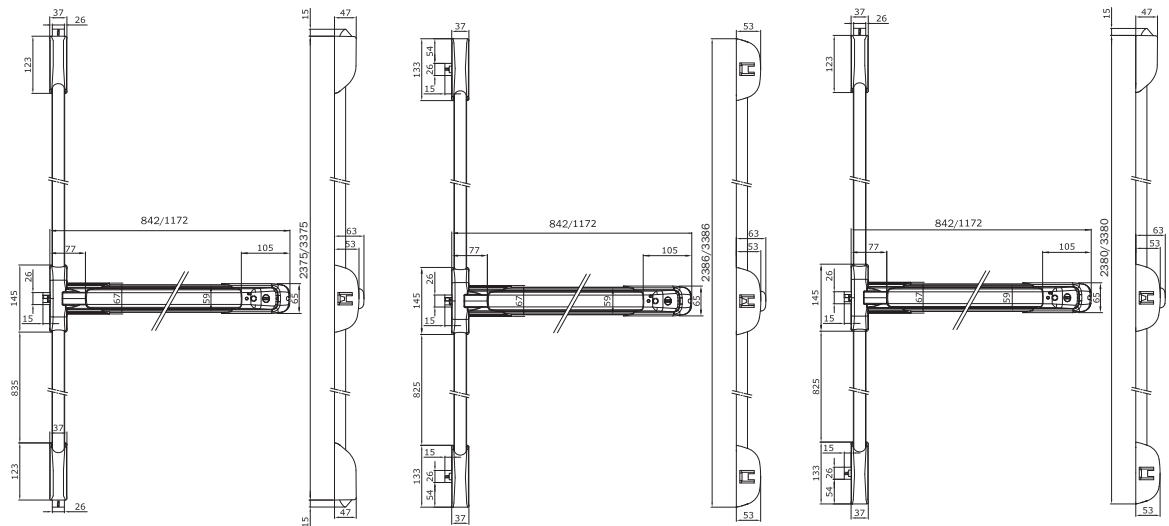
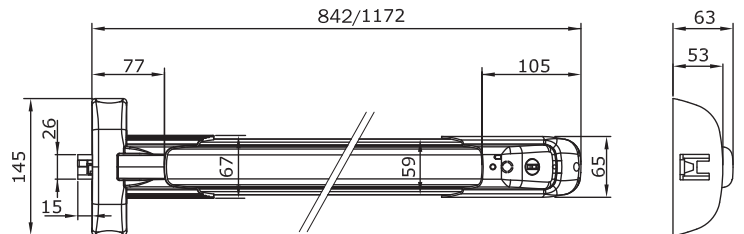
Code

Multiple package
Single package

Min. ord.



Push SIRENA



“Push SIRENA” panic exit device, **MODULAR REVERSIBLE**, prearranged for rods.
Shortenable to mm 330. Self-locking latch, suitable for **FIRE RESISTANT** doors.
Top/bottom hole caps. Lateral keep with spacers mm 1-2-3.
2 AA alkaline batteries 1,5 V. Single profile cylinder. Assembly instructions

To be ordered separately:

- Rods and covers 9410020* for doors mm 2400.
- Rods and covers 9410030* for doors mm 3400.
- Pair of steel latches 941020**04. External control 9401*+9402*
- External cylinder 859000857/9
- Kit of gaskets for fire resistant doors 94000030
- Fixing plate for bar, fire resistant doors 94100040
- Fixing plate for latches, fire resistant doors 94100050

Length mm 840 chassis and bar painted metal grey	942408477T...1	1	-	1	YES
Length mm 1170 chassis painted black and bar painted red	942411758T...1	1	-	1	YES
Length mm 1170 chassis and bar painted metal grey	942411777T...1	1	-	1	YES

Before installation on fire/smoke resistant doors, please check the compatibility of the accessories.



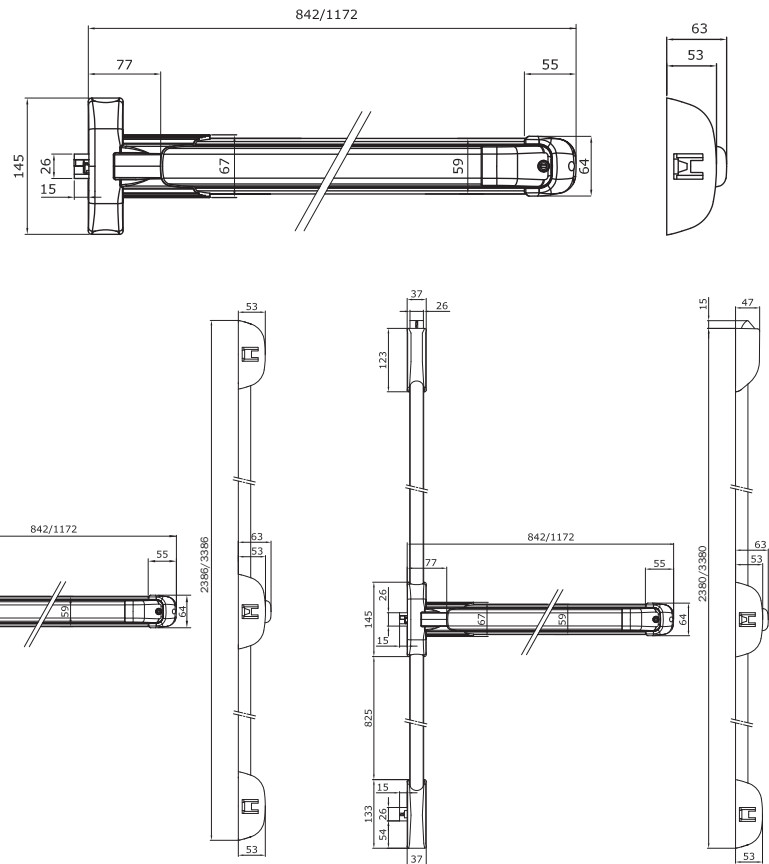
Code

Multiple package
Single package

Min. ord.



Push ENDUR4NCE
NEW



“Push” panic exit device, **MODULAR REVERSIBLE, FINISH ENDUR4NCE** prearranged for rods.

Length mm **840** can be shortened to mm 330. Self-locking stainless steel latch, suitable for **FIRE RESISTANT** doors. Top/bottom hole caps. Lateral keep with spacers mm 1-2-3.

Assembly instructions

To be ordered separately:

- Rods and covers 9410020R for doors mm 2400.
- Rods and covers 9410030R for doors mm 3400.
- Pair of stainless steel latches 941020*R04
- External control 9401100RT / 9402100R / 9409130RE
- External cylinder 859000857/9
- Microswitch 94200060
- Electric striker 568000R
- Kit of gaskets for fire resistant doors 94000030
- Fixing plate for bar, fire resistant doors 94100040
- Fixing plate for latches, fire resistant doors 94100050

9424084RRT 1 - 1 YES

WHITE AND METAL GREY ON REQUEST

Before installation on fire/smoke resistant doors, please check the compatibility of the accessories.



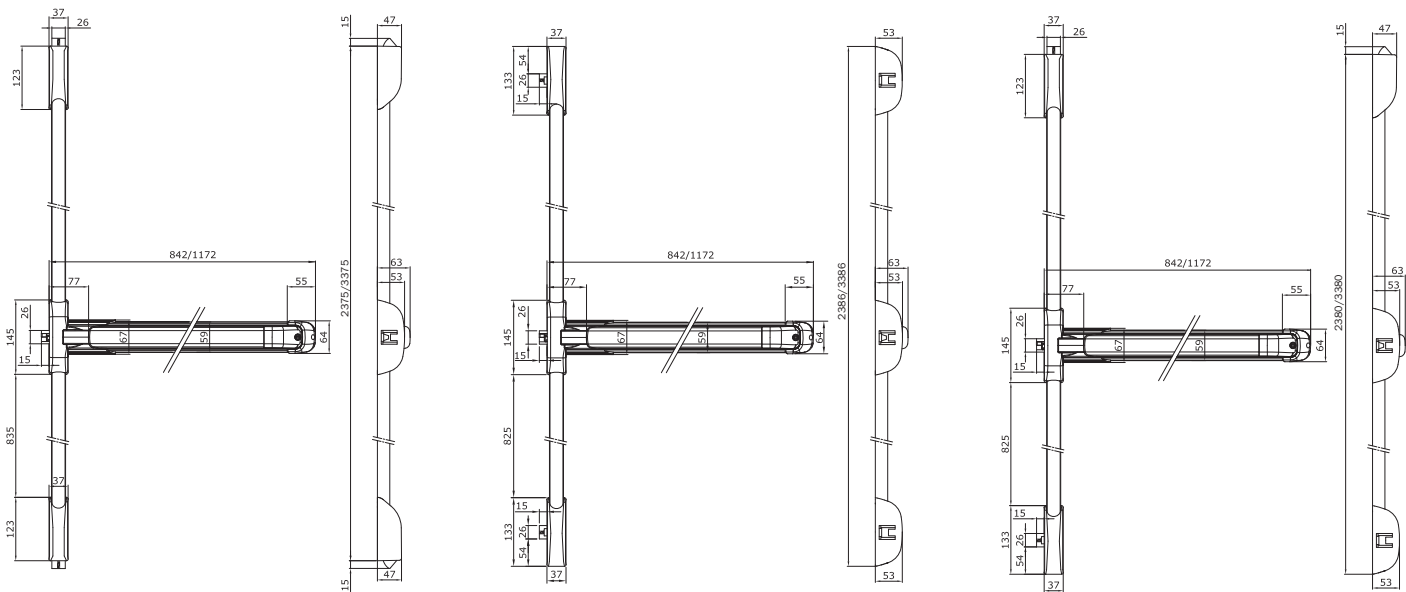
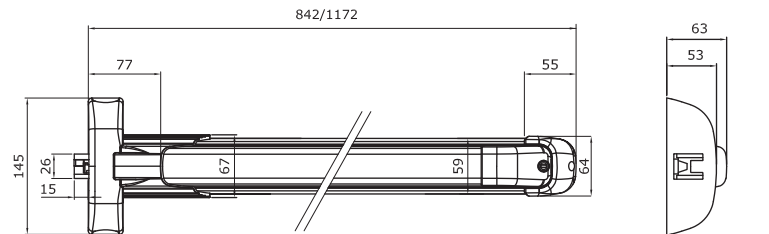
Code

Multiple package
Single package

Min. ord.



Push ENDUR4NCE
NEW



“Push” panic exit device, **MODULAR REVERSIBLE, FINISH ENDUR4NCE** prearranged for rods.
Length mm **1170** can be shortened to mm 330. Self-locking stainless steel latch, suitable for **FIRE RESISTANT** doors. Top/bottom hole caps.
Lateral keep with spacers mm 1-2-3. Assembly instructions.

To be ordered separately:

- Rods and covers 9410020R for doors mm 2400.
- Rods and covers 9410030R for doors mm 3400.
- Pair of stainless steel latches 941020*R04
- External control 9401100RT / 9402100R / 9409130RE
- External cylinder 859000857/9
- Microswitch 94200060
- Electric striker 568000R
- Kit of gaskets for fire resistant doors 94000030
- Fixing plate for bar, fire resistant doors 94100040
- Fixing plate for latches, fire resistant doors 94100050

9424117RRT 1 - 1 YES

WHITE AND METAL GREY ON REQUEST

Before installation on fire/smoke resistant doors, please check the compatibility of the accessories.

Push ENDUR4NCE: application scheme for single leaf doors

9424***RRT	●	●	●	●	●	●	●
9410201R04		●			●		
9410204R04				●			●
9410203R04			●			●	
9410020R 9410030R		* ●	* ●	* ●	* ●	* ●	* ●
9401100RT 9402100R	* ○	* ○	* ○	* ○	* ○	* ○	* ○
9409130RE							
568000R	○		○ ○	○ ○		○ ○ ○	○ ○ ○
94200060	○	○	○	○	○	○	○
94100040	○	○	○	○	○	○	○
94100050		○ ○	○ ○	○ ○	○ ○	○ ○	○ ○

● = Necessary items (● ● = 2 pcs, ● ● ● = 3 pcs)
 * = Choose one item only
 ○ = Optional items (○ ○ = 2 pcs, ○ ○ ○ = 3 pcs)

Push ENDUR4NCE: application scheme for double doors

9424***RRT				
9410201R04				
9410204R04				
9410203R04				
9410020R 9410030R				
9401100RT 9402100R				
9409130RE				
568000R				
94200060				
94100040				
94100050				

● = Necessary items (● ● = 2 pcs, ● ● ● = 3 pcs)

* = Choose one item only

○ = Optional items (○ ○ = 2 pcs, ○ ○ ○ = 3 pcs)

△ = The type of installation depends on the door frame

(△ △ = 2 pcs, △ △ △ = 3 pcs)



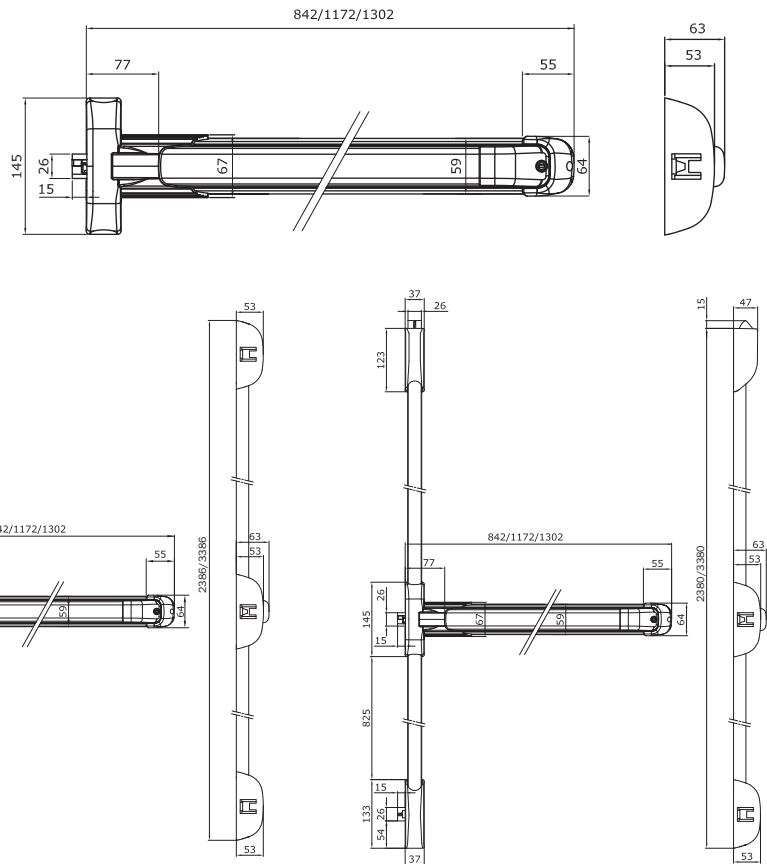
Code

Multiple package
Single package

Min. ord.



Push



“Push” panic exit device, **MODULAR REVERSIBLE**, prearranged for rods.
Length mm **840** can be shortened to mm 330. Self-locking latch, suitable for **FIRE RESISTANT** doors. Top/bottom hole caps. Lateral keep with spacers mm 1-2-3.
Assembly instructions

To be ordered separately:

- Rods and covers 9410020* for doors mm 2400.
- Rods and covers 9410030* for doors mm 3400.
- Pair of steel latches 941020**04
- External control 9401*+9402*
- External cylinder 859000857/9
- Microswitch 94200060
- Electric striker 56800*0
- Kit of gaskets for fire resistant doors 94000030
- Fixing plate for bar, fire resistant doors 94100040
- Fixing plate for latches, fire resistant doors 94100050
- Chassis painted black and bar painted red

942408458T 1 - 1 YES

WHITE AND METAL GREY ON REQUEST

Before installation on fire/smoke resistant doors, please check the compatibility of the accessories.



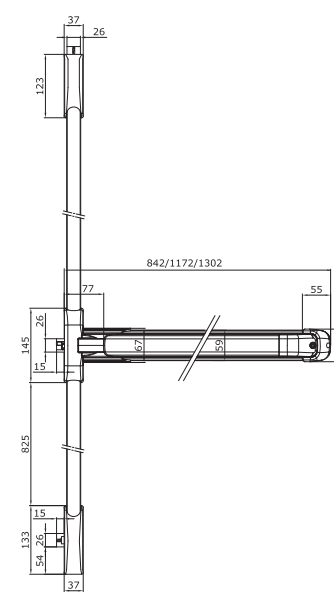
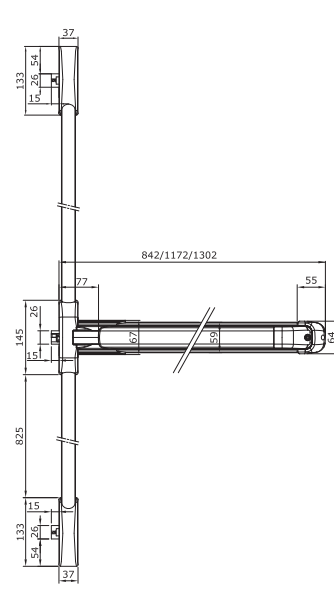
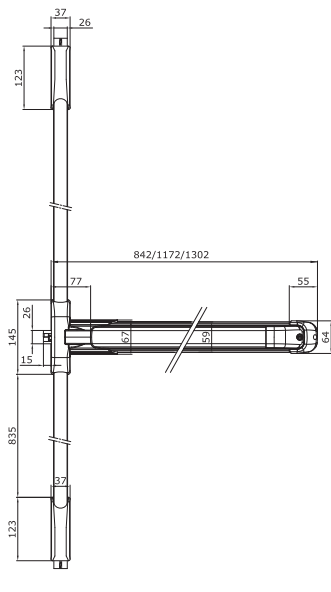
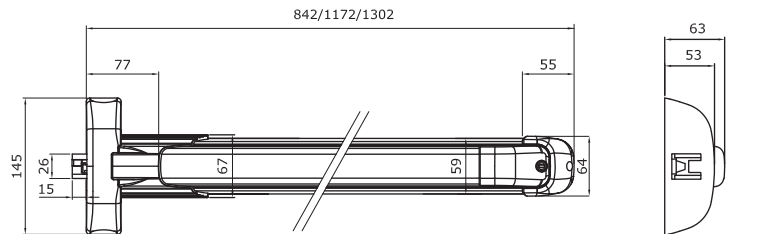
Code

Multiple package
Single package

Min. ord.



Push



“Push” panic exit device, **MODULAR REVERSIBLE**, prearranged for rods.
Length mm **1170** can be shortened to mm 330. Self-locking latch, suitable for **FIRE RESISTANT** doors. Top/bottom hole caps.
Lateral keep with spacers mm 1-2-3. Assembly instructions.

To be ordered separately:

- Rods and covers 9410020* for doors mm 2400.
- Rods and covers 9410030* for doors mm 3400.
- Pair of steel latches 941020**04
- External control 9401* +9402*
- External cylinder 859000857/9
- Microswitch 94200060
- Electric striker 56800*0
- Kit of gaskets for fire resistant doors 94000030
- Fixing plate for bar, fire resistant doors 94100040
- Fixing plate for latches, fire resistant doors 94100050
- Chassis painted black and bar painted red

942411758T 1 - 1 YES

WHITE AND METAL GREY ON REQUEST

Before installation on fire/smoke resistant doors, please check the compatibility of the accessories.



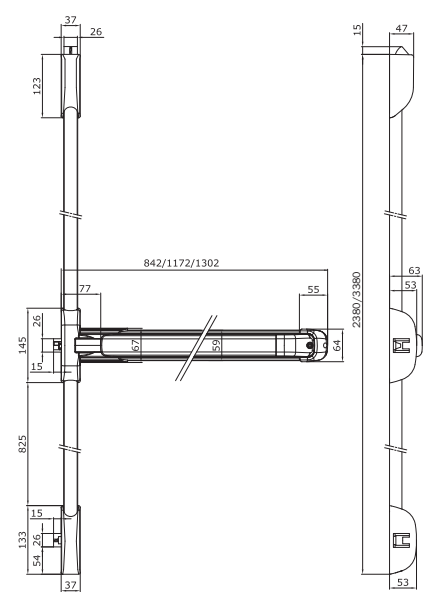
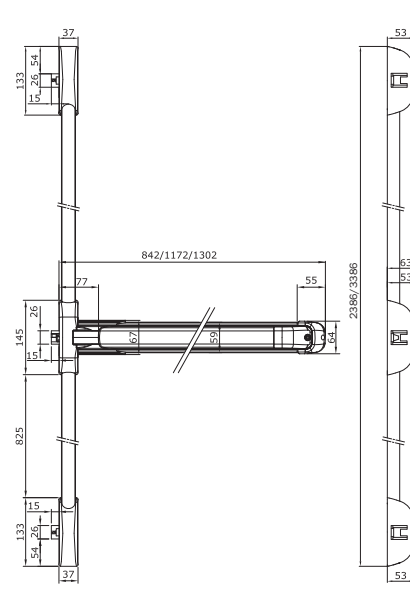
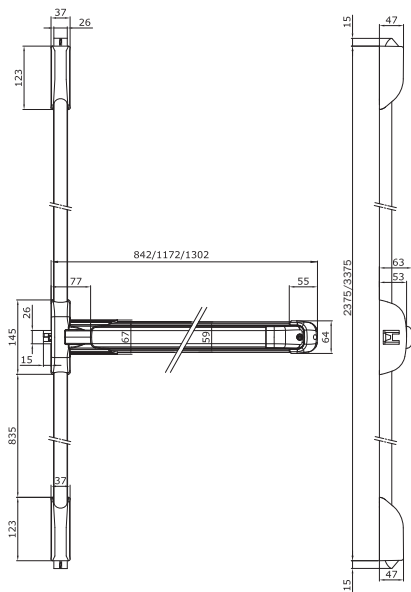
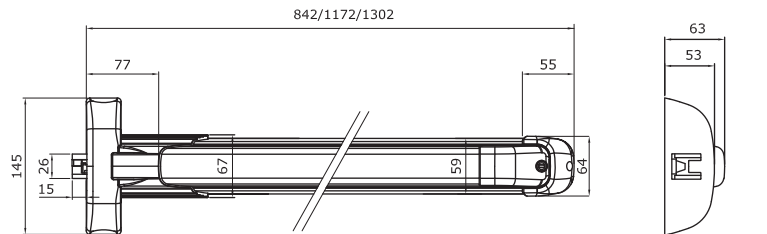
Code

Multiple package
Single package

Min. ord.



Push



“Push” panic exit device, **MODULAR REVERSIBLE**, prearranged for rods.
Length mm 1300 can be shortened to mm 330. Self-locking latch, suitable for **FIRE RESISTANT** doors. Top/bottom hole caps. Lateral keep with spacers mm 1-2-3. Assembly instructions.

To be ordered separately:

- Rods and covers 9410020* for doors mm 2400.
- Rods and covers 9410030* for doors mm 3400.
- Pair of steel latches 941020**04
- External control 9401*+9402*,
- External cylinder 859000857/9
- Microswitch 94200060
- Electric striker 56800**
- Kit of gaskets for fire resistant doors 94000030
- Fixing plate for bar, fire resistant doors 94100040
- Fixing plate for latches, fire resistant doors 94100050
- Chassis painted black and bar painted red

942413058T 1 - 1 YES

WHITE AND METAL GREY ON REQUEST

Before installation on fire/smoke resistant doors, please check the compatibility of the accessories.



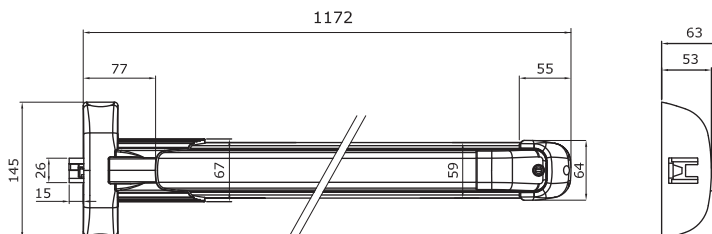
Code

Multiple package
Single package

Min. ord.



Push without horizontal bar



“Push” panic exit device, **WITHOUT HORIZONTAL BAR**, modular, reversible, prearranged for rods. Length mm **1170** can be shortened to mm 330. Self-locking latch, suitable for fire resistant doors. Top/bottom hole caps. Lateral keep with spacers mm 1-2-3. Assembly instructions.

Chassis painted black	94241175HT	1	-	4	YES
Chassis painted white	94241174HT	1	-	4	YES
Chassis painted metal grey	94241177HT	1	-	4	YES



Horizontal bar for “Push” panic exit device mm 1170

Bar for PUSH painted red	94200088	1	-	4	YES
Bar for PUSH painted black	94200085	1	-	4	YES
Bar for PUSH painted white	94200084	1	-	4	YES
Bar for PUSH painted metal grey	94200087	1	-	4	YES
Bar for PUSH painted green RAL 6029	9420008V	1	-	4	YES

Accessories



Rods and covers. One keep for two wings, without spacers.

Cap for bar lateral latch.

For doors with maximum height mm 2400 painted white	94100204	1	-	1	YES
For doors with maximum height mm 2400 painted black	94100205	1	-	1	YES
For doors with maximum height mm 2400 metal grey	94100207	1	-	1	YES
For doors with maximum height mm 3400 painted grey	■ 94100303	1	-	1	YES
For doors with maximum height mm 3400 painted white	94100304	1	-	1	YES
For doors with maximum height mm 3400 painted black	94100305	1	-	1	YES
For doors with maximum height mm 3400 metal grey	94100307	1	-	1	YES

■ = Discontinued

Before installation on fire/smoke resistant doors, please check the compatibility of the accessories.

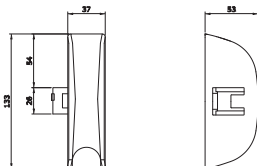


Code

Min. ord.
Multiple
package
Single
package

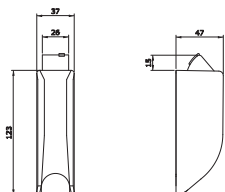


Steel latches



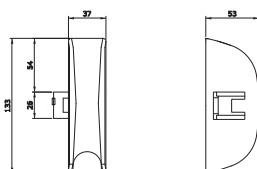
Painted latch for panic exit devices **“IDEA Base”** and **“Push”**. Self-locking steel latch suitable for fire resistant doors. Fixing screws.

Painted white	9410003404	1	-	1	YES
Painted black	9410003504	1	-	1	YES
Painted metal grey	9410003704	1	-	1	YES



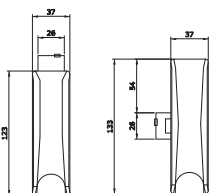
Pair of painted latches for panic exit devices **“IDEA Base”** and **“Push”**. Top and bottom vertical locking. Self-locking steel latch suitable for fire resistant doors. Keeps 94100110+94100120. Fixing screws.

Painted grey	9410201304	1	-	1	YES
Painted white	9410201404	1	-	1	YES
Painted black	9410201504	1	-	1	YES
Painted metal grey	9410201704	1	-	1	YES



Pair of painted latches for panic exit devices **“IDEA Base”** and **“Push”**. Top and bottom lateral locking. Self-locking steel latch suitable for fire resistant doors. Two keeps 94100100. Fixing screws.

Painted white	9410203404	1	-	1	YES
Painted black	9410203504	1	-	1	YES
Painted metal grey	9410203704	1	-	1	YES



Pair of painted latches for panic exit devices **“IDEA Base”** and **“Push”**. Top vertical and bottom lateral locking. Two keeps 94100110. Fixing screws.

Painted grey	9410204304	1	-	1	YES
Painted black	9410204504	1	-	1	YES
Painted metal grey	9410204704	1	-	1	YES

■ = Discontinued

Push: application scheme for single leaf doors

9424****T	●	●	●	●	●	●	●
9410201*04		●			●		
9410204*04				●			●
9410203*04			●			●	
9410020* 9410030*		* ●	* ●	* ●	* ●	* ●	* ●
9401100*T 9401101*T 9401200*T 9401300*T 9401400*T 9401500*T 9402100*T 9402102*	* ○	* ○	* ○	* ○	* ○	* ○	* ○
9409130*E							
56800**	○		○ ○	○ ○		○ ○ ○	○ ○ ○
94200060	○	○	○	○	○	○	○
94100040	○	○	○	○	○	○	○
94100050		○ ○	○ ○	○ ○	○ ○	○ ○	○ ○

● = Necessary items (●● = 2 pcs, ●●● = 3 pcs)
 * = Choose one item only
 ○ = Optional items (○○ = 2 pcs, ○○○ = 3 pcs)

Push: application scheme for double doors

9424****T				
9410201*04				
94102045*04				
9410203*04				
9410020* 9410030*	 *	 *	 *	 *
9401100*T 9401101*T 9401200*T 9401300*T 9401400*T 9401500*T 9402100*T 9402102*	 *	 *	 *	 *
9409130*E				
56800**				
94200060				
94100040				
94100050				

● = Necessary items (● ● = 2 pcs, ● ● ● = 3 pcs)

* = Choose one item only

○ = Optional items (○ ○ = 2 pcs, ○ ○ ○ = 3 pcs)

△ = The type of installation depends on the door frame

(△ △ = 2 pcs, △ △ △ = 3 pcs)

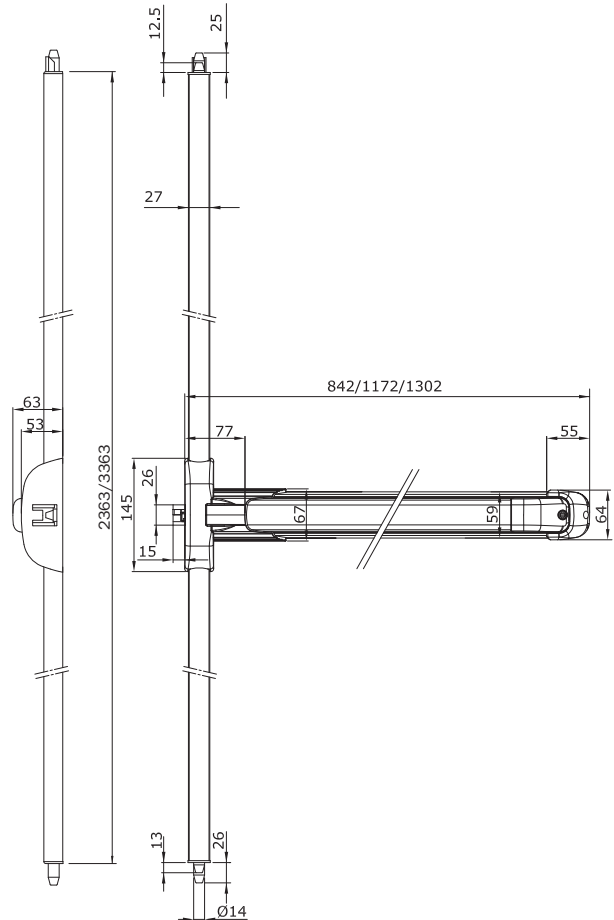
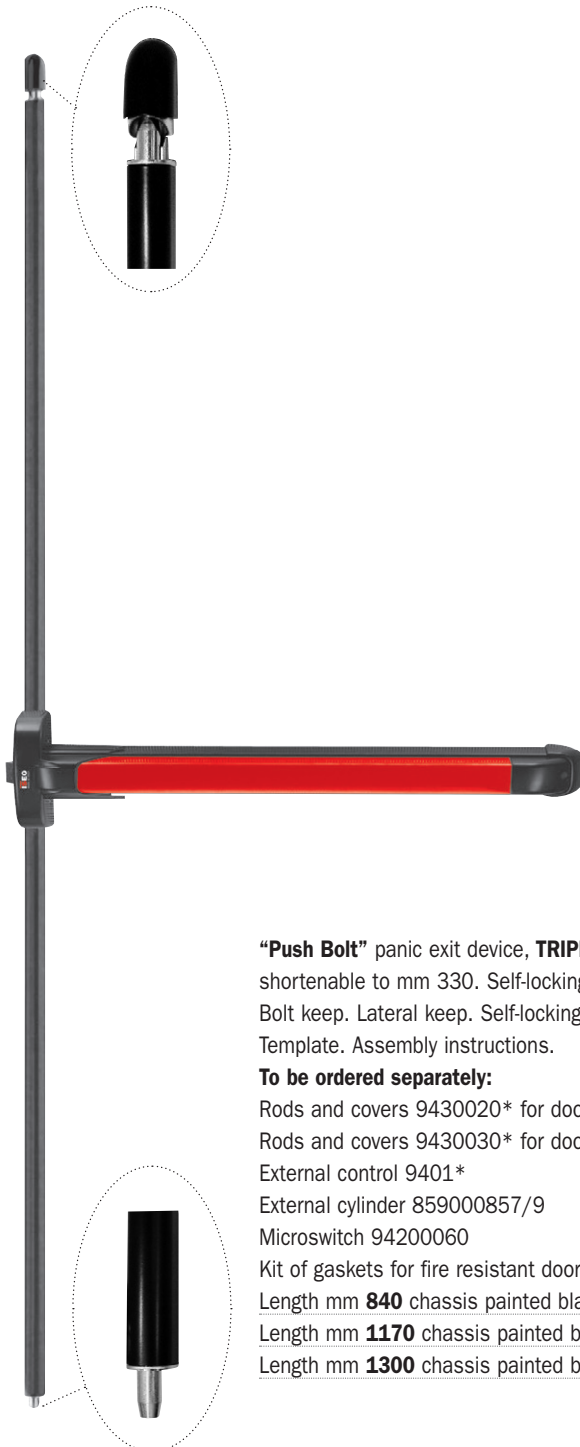


Code

Min. ord.
Multiple
package
Single
package



Push-Bolt



“Push Bolt” panic exit device, **TRIPLE LOCKING**, reversible, shortenable to mm 330. Self-locking steel latch. Keeps for flush bolt. Bolt keep. Lateral keep. Self-locking top/bottom flush bolt. Nylon spacer. Template. Assembly instructions.

To be ordered separately:

- Rods and covers 9430020* for doors mm 2400.
- Rods and covers 9430030* for doors mm 3400.
- External control 9401*
- External cylinder 859000857/9
- Microswitch 94200060
- Kit of gaskets for fire resistant doors 94000030

Length mm 840 chassis painted black and bar painted red	9453084584	1	-	1	YES
Length mm 1170 chassis painted black and bar painted red	9453117584	1	-	1	YES
Length mm 1300 chassis painted black and bar painted red	9453130584	1	-	1	YES

WHITE AND METAL GREY ON REQUEST

Before installation on fire/smoke resistant doors, please check the compatibility of the accessories.



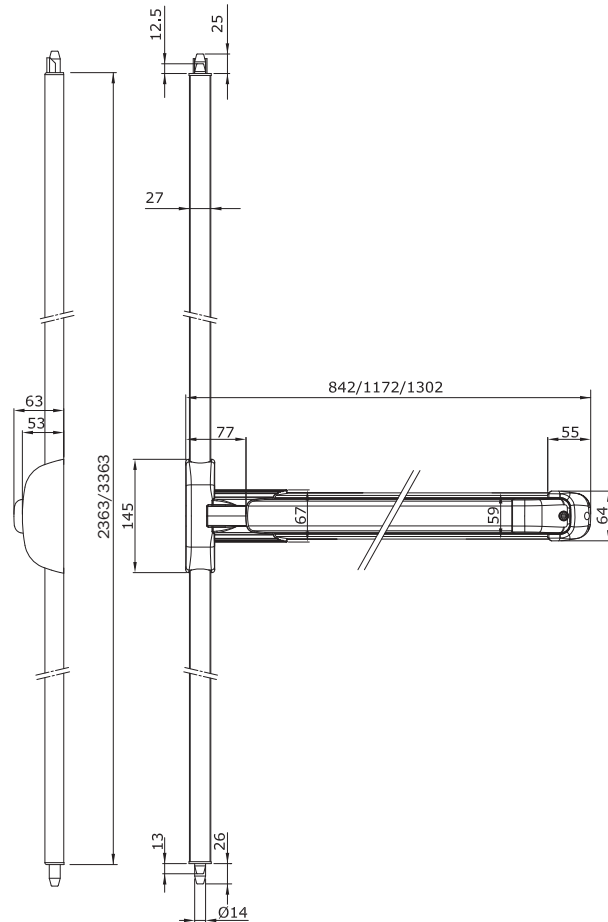
Code

Multiple package
Single package

Min. ord.



Push-Bolt



“Push Bolt” panic exit device, **DOUBLE VERTICAL LOCKING**, reversible, shortenable to mm 330. Keeps for flush bolt. Bolt keep. Self-locking top/bottom flush bolt. Nylon spacer. Template. Assembly instructions.

To be ordered separately:

Rods and covers 9430020* for doors mm 2400.

Rods and covers 9430030* for doors mm 3400.

External control 9401*

External cylinder 859000857/9

Microswitch 94200060

Kit of gaskets for fire resistant doors 94000030

Length mm 840 chassis painted black and bar painted red	9452084584	1	-	1	YES
Length mm 1170 chassis painted black and bar painted red	9452117584	1	-	1	YES
Length mm 1300 chassis painted black and bar painted red	9452130584	1	-	1	YES

WHITE AND METAL GREY ON REQUEST

Before installation on fire/smoke resistant doors, please check the compatibility of the accessories.



Code

Min. ord.
Multiple
package
Single
package



Accessories



Rods and covers. One keep for two wings, without spacers.
Cap for bar lateral latch.



For doors with maximum height mm 2400 painted white	94300204	1	-	1	YES
For doors with maximum height mm 2400 painted black	94300205	1	-	1	YES
For doors with maximum height mm 2400 painted metal grey	94300207	1	-	1	YES



For doors with maximum height mm 3400 painted white	94300304	1	-	1	YES
For doors with maximum height mm 3400 painted black	94300305	1	-	1	YES
For doors with maximum height mm 3400 painted metal grey	94300307	1	-	1	YES

Push-Bolt: application scheme for single leaf doors

9452*	*	
9453*	*	
9430020* BOLT 9430030* BOLT	*	
9401100*T 9402102* 9401101*T 94021035D 9401200*T 94021035S 9401300*T 9401400*T 9401500*T 9402100*T 85900085*	*	*
9409130*E	○	*
94100060	○	○

● = Necessary items (● ● = 2 pcs, ● ● ● = 3 pcs)
 * = Choose one item only
 ○ = Optional items (○ ○ = 2 pcs, ○ ○ ○ = 3 pcs)

Push-Bolt: application scheme for double doors

9452*				
94241*				
9410203*04				
9430020* BOLT 9430030* BOLT				
9410020* 9410030*				
56800**				
9401100*T 9401101*T 9401200*T 9401300*T 9401400*T 9401500*T 9402100*T 85900085*				
9409130*E				
94100060				

● = Necessary items (● ● = 2 pcs, ● ● ● = 3 pcs)

* = Choose one item only

○ = Optional items (○ ○ = 2 pcs, ○ ○ ○ = 3 pcs)

△ = The type of installation depends on the door frame

(△ △ = 2 pcs, △ △ △ = 3 pcs)

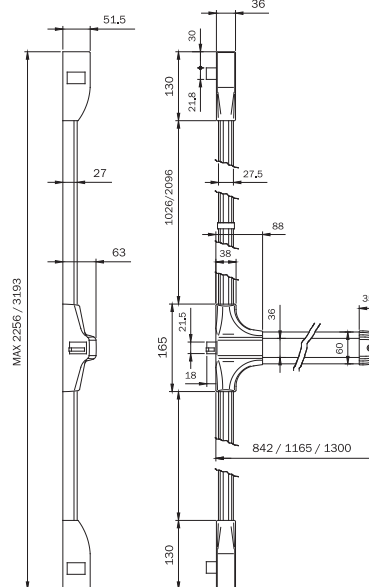
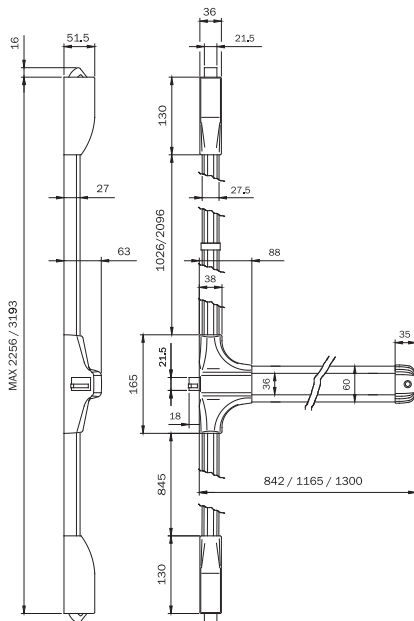
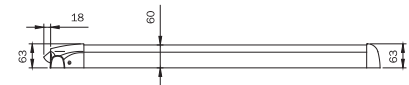
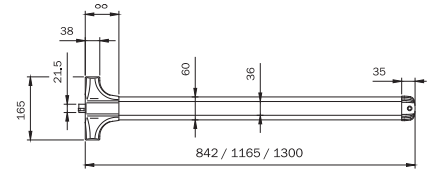


Code

Min. ord.
Multiple
package
Single
package



Push-Bar



Panic exit device **“Push Bar” MODULAR REVERSIBLE**, prearranged for rods.
Self-locking steel latch. Suitable for fire doors. Top/bottom holes caps.
Hold-open device. Lateral keep with spacers mm 1-2-3. Template. Assembly instructions.

To be ordered separately:

- External control 9401* +9402*
- External cylinder 859000857/9
- Rods and covers 9440200* for doors 2265 mm
- Rods and covers 9440201* for doors 3200 mm
- Pair of steel latches 94402055T
- Pair of zamak latches 944020*5
- Microswitch 94800030
- Electric striker 56800*
- Pair of small adhesive handles 9440007*

Length mm 840 chassis painted black and bar painted red	944408458T	1	-	1	YES
Length mm 1165 chassis painted black and bar painted red	944411758T	1	-	1	YES
Length mm 1165 chassis and bar painted grey	944411733T	1	-	1	YES
Length mm 1300 chassis painted black and bar painted red	944413058T	1	-	1	YES

Before installation on fire/smoke resistant doors, please check the compatibility of the accessories.

■ = Discontinued

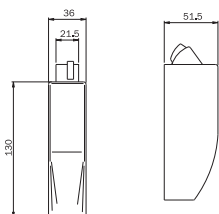


Code

Min. ord.
Multiple
package
Single
package

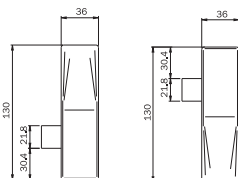


Accessories



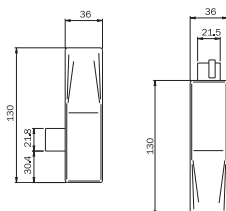
Pair of latches for panic exit device **"Push Bar"**, painted black. Top/bottom vertical locking.
Self-locking steel latch, suitable for fire resistant doors. Keeps 94100110+94100120. Fixing screws.
Painted black

94402055T 1 - 1 YES



Pair of latches for panic exit device **"Push Bar"**, painted black. Top/bottom lateral locking.
Zamak latch. Two keeps 94100100. Fixing screws. Use only for triple locking.
Painted black

94402065 1 - 1 YES



Pair of latches for panic exit device **"Push Bar"**. Top vertical locking with self-locking zamak latch. **BOTTOM LATERAL LEFT** locking with zamak latch.
Two keeps 94100110. Fixing screws. Use only for triple locking
Painted black

94402095 1 - 1 YES



Rods and covers for "Push Bar" Modular. Keep for two wings without spacers.
Cap for "Push Bar" latch, for version with two-point vertical locking.



For doors with maximum height mm 2265. Painted black **94402005** 1 - 1 YES

For doors with maximum height mm 3200. Painted black **94402015** 1 - 1 YES

Push-Bar: application scheme for single leaf doors

9444***58T	●	●	●	●	●	●	●
94402055T		●			●		
94402095 SX				*			*
94402065			●			●	
94402005 94402015		*	*	*	*	*	*
56800**	○		○ ○	○ ○		○ ○ ○	○ ○ ○
94011005T 94011015T 94012005T 94013005T 94014005T 94015005T 94021005T 94021025	*	*	*	*	*	*	*
9409130*E	○	○	○	○	○	○	○
94800030	○	○	○	○	○	○	○

● = Necessary items (● ● = 2 pcs, ● ● ● = 3 pcs)
 * = Choose one item only
 ○ = Optional items (○ ○ = 2 pcs, ○ ○ ○ = 3 pcs)

Push-Bar: application scheme for double doors

9444***58T	● ●	● ●	● ●	● ●
94402055T	●	●	●	● ●
94402095 SX 94402105 DX				
94402065		●	●	
94402005 94402015	* ●	* ● ●	* ● ●	* ● ●
56800**	△	△ △	△ △ △	
94011005T 94011015T 94012005T 94013005T 94014005T 94015005T 94021005T 94021025	* * ○ ○	* ○	* ○	* ○
9409130*E				
94800030	○	○	○	○

● = Necessary items (● ● = 2 pcs, ● ● ● = 3 pcs)

* = Choose one item only

○ = Optional items (○ ○ = 2 pcs, ○ ○ ○ = 3 pcs)

△ = The type of installation depends on the door frame

(△ △ = 2 pcs, △ △ △ = 3 pcs)



Pad

**Emergency exit
devices with
pushing plate**

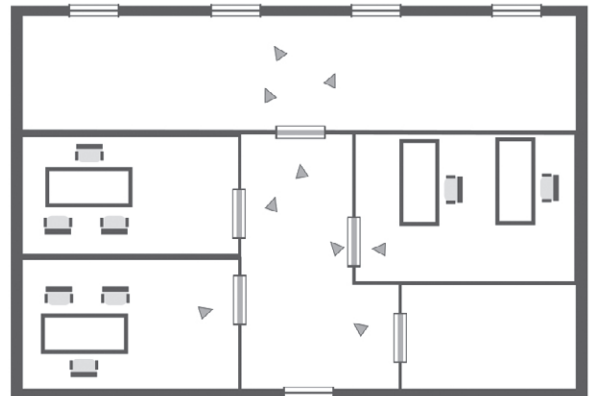


Standard

EN 179:2008

Emergency exit devices in compliance with standard EN 179 are conceived to be used where there is a very low probability for panic situations to happen, people are aware of the use of the emergency exit device and qualified for it.

The aim of the standard requirements is mainly to ensure a reliable and safe evacuation through a door making use of the minimum effort, even though a prior knowledge of the door device might be necessary.





Pad: how to read the marking EN 179:2008

Not suitable for use on fire/smoke doors	3	7	6	0	1	4	4	2	B	A
Suitable for use on fire/smoke doors	3	7	6	B	1	4	4	2	B	A
	Category of use	Durability	Door mass	Suitability for use on fire/smoke resistant doors	People's safety	Corrosion resistance	Goods' security	Bar projection	Type of bar operation	Field of door application

Category of use. There is only one category which refers to a high frequency of use where there is little incentive to exercise care, i. e. where there is a chance of an accident and misuse.

Durability. There are two grades of durability:

grade 6 = 100,000 operations

grade 7 = 200,000 operations

Door mass. There are three door mass categories:

grade 5 = up to 100 kg

grade 6 = up to 200 kg

grade 7 = over 200 kg

Suitability for use on fire/smoke resistant doors. There are three fire/smoke resistance categories:

grade 0 = not suitable for fire/smoke resistant doors

grade A = suitable for smoke resistant doors

grade B = suitable for fire/smoke resistant doors

People's safety. All emergency exit devices have a critical safety function: only top grade is identified for the purposes of this European standard.

Corrosion resistance. There are two categories as per prEN1670:

grade 3 = 96 h (high resistance)

grade 4 = 240 h (very high resistance)

Goods' security. There are four categories:

grade 2 = durability 1000 N

grade 3 = durability 2000 N

grade 4 = durability 3000 N

grade 5 = durability 5000 N

Projection of bar. There are two categories:

grade 1 = bar projection up to mm 150 (large projection)

grade 2 = bar projection up to mm 100 (standard projection)

Type of bar operation. There are 2 types of operations:

A = emergency exit device with "lever handle" operation

B = emergency exit device with "push pad" operation

Field of door application. There are four categories:

A = outwardly opening single exit door, double exit door: active or inactive leaf

B = outwardly opening single exit door only

C = outwardly opening double exit door: inactive leaf only

D = inwardly opening single exit door only.

For further information please refer to EN179:2008 standard.



Warning

The field of application of these panic exit devices is limited to following:

Maximum door mass	Maximum door height	Maximum door width	Temperature interval
200 Kg	2520 mm	1320 mm	-10°C +60°C

The limits indicated above are identified by EN1125 standard. ISEO Serrature declares that the performances of the devices and their accessories are in compliance with the requirements of the standard, for doors with mass max. 200 kg, height max. 3400 mm and width max. 1320 mm..

The door leavers and frames must be made of a material with sufficient rigidity to ensure that any distortions that occur during use can not exceed 5 mm in any position. The device must be fitted to the door leaf using materials that guarantee a tensile strength for each screw of >1,5KN.

Products certifications

Iseo Serrature has been awarded by Warrington Certification Limited (WCL) the certificate of conformity with EN 179:2008 standard allowing to apply the CE mark on panic exit devices, compulsory from 01/04/2003.

Idea panic exit devices have already obtained the Voluntary Product Certification by an independent organisation, ICIM, as provided for in EN 179:2008.

The ICIM voluntary certification establishes stricter requirements than the CE mark.

All the updated certificates can be downloaded from our web site: www.iseoserrature.it

Example of product certification.

warrington certification
Organismo notificato N° 1121
Warrington Certification Limited, Holmwoodfield Road, Warrington, Cheshire, WA1 2DS, Regno Unito

Certificato di costanza della prestazione
1121-CPR-ABB016

In conformità con il Regolamento (UE) 305/2011 del Parlamento Europeo e del Consiglio del 9 marzo 2011 (Regolamento sui Prodotti da Costruzione o CPR), questo certificato si applica al prodotto da costruzione

Dispositivi per uscite di emergenza Push Pad "IDEA PAD"

Utilizzo previsto: per l'uso su porte ad anta singola o doppia su vie di fuga, incluse porte antifuoco/tagliafuoco e porte con blocco di vie di fuga.

Caratteristiche essenziali	Prestazioni	Specifiche tecniche armonizzate
<p>Chiusola 42.1 Capacità di apertura (per porte su vie di fuga)</p> <p>Funzione di apertura Push pad</p> <p>Anta singola</p> <p>Anta doppia</p> <p>Angoli a 90° e 180°</p> <p>Frangifiamma Push pad</p> <p>Sorgenza dell'elemento di azionamento</p> <p>Superficie dell'elemento di azionamento (Push pad)</p> <p>Distanza di funzionamento Push pad</p> <p>Barra di innalzamento</p> <p>Apertura Push pad</p> <p>Spazio libero accessibile</p> <p>Movimento libero della porta</p> <p>Elemento di chiusura verificabile</p> <p>Forze</p> <p>Dimensioni degli incerti</p> <p>Massa e dimensioni della porta</p> <p>Sistema di apertura porta dall'esterno</p> <p>Forze di innalzamento</p> <p>Resistenza di sicurezza</p> <p>Chiusola 42.1 Stabilità della cerniera di apertura contro l'inceppamento e la degradazione (per porte su vie di fuga)</p> <p>Resistenza alla corrosione</p> <p>Gamma delle temperature</p> <p>Coperture per aste verticali</p> <p>Lubrificazione</p> <p>Forza di riaggancio</p> <p>Durabilità</p> <p>Resistenza all'urto improprio - Push pad</p> <p>Resistenza all'urto improprio - asta verificabile</p> <p>Esame finale</p>	<p>Prove meccaniche: ICM 2208/11207919/11207920</p> <p>Prova resistenza al fuoco: 18718/18719/18720/18721/18722/18723/18724/18725/18726/18727/18728/18729/18730/18731/18732/18733/18734/18735/18736/18737/18738/18739/18740/18741/18742/18743/18744/18745/18746/18747/18748/18749/18750/18751/18752/18753/18754/18755/18756/18757/18758/18759/18760/18761/18762/18763/18764/18765/18766/18767/18768/18769/18770/18771/18772/18773/18774/18775/18776/18777/18778/18779/18780/18781/18782/18783/18784/18785/18786/18787/18788/18789/18790/18791/18792/18793/18794/18795/18796/18797/18798/18799/18800/18801/18802/18803/18804/18805/18806/18807/18808/18809/18810/18811/18812/18813/18814/18815/18816/18817/18818/18819/18820/18821/18822/18823/18824/18825/18826/18827/18828/18829/18830/18831/18832/18833/18834/18835/18836/18837/18838/18839/18840/18841/18842/18843/18844/18845/18846/18847/18848/18849/18850/18851/18852/18853/18854/18855/18856/18857/18858/18859/18860/18861/18862/18863/18864/18865/18866/18867/18868/18869/18870/18871/18872/18873/18874/18875/18876/18877/18878/18879/18880/18881/18882/18883/18884/18885/18886/18887/18888/18889/18890/18891/18892/18893/18894/18895/18896/18897/18898/18899/18900/18901/18902/18903/18904/18905/18906/18907/18908/18909/18910/18911/18912/18913/18914/18915/18916/18917/18918/18919/18920/18921/18922/18923/18924/18925/18926/18927/18928/18929/18930/18931/18932/18933/18934/18935/18936/18937/18938/18939/18940/18941/18942/18943/18944/18945/18946/18947/18948/18949/18950/18951/18952/18953/18954/18955/18956/18957/18958/18959/18960/18961/18962/18963/18964/18965/18966/18967/18968/18969/18970/18971/18972/18973/18974/18975/18976/18977/18978/18979/18980/18981/18982/18983/18984/18985/18986/18987/18988/18989/18990/18991/18992/18993/18994/18995/18996/18997/18998/18999/19000/19001/19002/19003/19004/19005/19006/19007/19008/19009/19010/19011/19012/19013/19014/19015/19016/19017/19018/19019/19020/19021/19022/19023/19024/19025/19026/19027/19028/19029/19030/19031/19032/19033/19034/19035/19036/19037/19038/19039/19040/19041/19042/19043/19044/19045/19046/19047/19048/19049/19050/19051/19052/19053/19054/19055/19056/19057/19058/19059/19060/19061/19062/19063/19064/19065/19066/19067/19068/19069/19070/19071/19072/19073/19074/19075/19076/19077/19078/19079/19080/19081/19082/19083/19084/19085/19086/19087/19088/19089/19090/19091/19092/19093/19094/19095/19096/19097/19098/19099/19100/19101/19102/19103/19104/19105/19106/19107/19108/19109/19110/19111/19112/19113/19114/19115/19116/19117/19118/19119/19120/19121/19122/19123/19124/19125/19126/19127/19128/19129/19130/19131/19132/19133/19134/19135/19136/19137/19138/19139/19140/19141/19142/19143/19144/19145/19146/19147/19148/19149/19150/19151/19152/19153/19154/19155/19156/19157/19158/19159/19160/19161/19162/19163/19164/19165/19166/19167/19168/19169/19170/19171/19172/19173/19174/19175/19176/19177/19178/19179/19180/19181/19182/19183/19184/19185/19186/19187/19188/19189/19190/19191/19192/19193/19194/19195/19196/19197/19198/19199/19200/19201/19202/19203/19204/19205/19206/19207/19208/19209/19210/19211/19212/19213/19214/19215/19216/19217/19218/19219/19220/19221/19222/19223/19224/19225/19226/19227/19228/19229/19230/19231/19232/19233/19234/19235/19236/19237/19238/19239/19240/19241/19242/19243/19244/19245/19246/19247/19248/19249/19250/19251/19252/19253/19254/19255/19256/19257/19258/19259/19260/19261/19262/19263/19264/19265/19266/19267/19268/19269/19270/19271/19272/19273/19274/19275/19276/19277/19278/19279/19280/19281/19282/19283/19284/19285/19286/19287/19288/19289/19290/19291/19292/19293/19294/19295/19296/19297/19298/19299/19300/19301/19302/19303/19304/19305/19306/19307/19308/19309/19310/19311/19312/19313/19314/19315/19316/19317/19318/19319/19320/19321/19322/19323/19324/19325/19326/19327/19328/19329/19330/19331/19332/19333/19334/19335/19336/19337/19338/19339/19340/19341/19342/19343/19344/19345/19346/19347/19348/19349/19350/19351/19352/19353/19354/19355/19356/19357/19358/19359/19360/19361/19362/19363/19364/19365/19366/19367/19368/19369/19370/19371/19372/19373/19374/19375/19376/19377/19378/19379/19380/19381/19382/19383/19384/19385/19386/19387/19388/19389/19390/19391/19392/19393/19394/19395/19396/19397/19398/19399/19400/19401/19402/19403/19404/19405/19406/19407/19408/19409/19410/19411/19412/19413/19414/19415/19416/19417/19418/19419/19420/19421/19422/19423/19424/19425/19426/19427/19428/19429/19430/19431/19432/19433/19434/19435/19436/19437/19438/19439/19440/19441/19442/19443/19444/19445/19446/19447/19448/19449/19450/19451/19452/19453/19454/19455/19456/19457/19458/19459/19460/19461/19462/19463/19464/19465/19466/19467/19468/19469/19470/19471/19472/19473/19474/19475/19476/19477/19478/19479/19480/19481/19482/19483/19484/19485/19486/19487/19488/19489/19490/19491/19492/19493/19494/19495/19496/19497/19498/19499/19500/19501/19502/19503/19504/19505/19506/19507/19508/19509/19510/19511/19512/19513/19514/19515/19516/19517/19518/19519/19520/19521/19522/19523/19524/19525/19526/19527/19528/19529/19530/19531/19532/19533/19534/19535/19536/19537/19538/19539/19540/19541/19542/19543/19544/19545/19546/19547/19548/19549/19550/19551/19552/19553/19554/19555/19556/19557/19558/19559/19560/19561/19562/19563/19564/19565/19566/19567/19568/19569/19570/19571/19572/19573/19574/19575/19576/19577/19578/19579/19580/19581/19582/19583/19584/19585/19586/19587/19588/19589/19590/19591/19592/19593/19594/19595/19596/19597/19598/19599/19600/19601/19602/19603/19604/19605/19606/19607/19608/19609/19610/19611/19612/19613/19614/19615/19616/19617/19618/19619/19620/19621/19622/19623/19624/19625/19626/19627/19628/19629/19630/19631/19632/19633/19634/19635/19636/19637/19638/19639/19640/19641/19642/19643/19644/19645/19646/19647/19648/19649/19650/19651/19652/19653/19654/19655/19656/19657/19658/19659/19660/19661/19662/19663/19664/19665/19666/19667/19668/19669/19670/19671/19672/19673/19674/19675/19676/19677/19678/19679/19680/19681/19682/19683/19684/19685/19686/19687/19688/19689/19690/19691/19692/19693/19694/19695/19696/19697/19698/19699/19700/19701/19702/19703/19704/19705/19706/19707/19708/19709/19710/19711/19712/19713/19714/19715/19716/19717/19718/19719/19720/19721/19722/19723/19724/19725/19726/19727/19728/19729/19730/19731/19732/19733/19734/19735/19736/19737/19738/19739/19740/19741/19742/19743/19744/19745/19746/19747/19748/19749/19750/19751/19752/19753/19754/19755/19756/19757/19758/19759/19760/19761/19762/19763/19764/19765/19766/19767/19768/19769/19770/19771/19772/19773/19774/19775/19776/19777/19778/19779/19780/19781/19782/19783/19784/19785/19786/19787/19788/19789/19790/19791/19792/19793/19794/19795/19796/19797/19798/19799/19800/19801/19802/19803/19804/19805/19806/19807/19808/19809/19810/19811/19812/19813/19814/19815/19816/19817/19818/19819/19820/19821/19822/19823/19824/19825/19826/19827/19828/19829/19830/19831/19832/19833/19834/19835/19836/19837/19838/19839/19840/19841/19842/19843/19844/19845/19846/19847/19848/19849/19850/19851/19852/19853/19854/19855/19856/19857/19858/19859/19860/19861/19862/19863/19864/19865/19866/19867/19868/19869/19870/19871/19872/19873/19874/19875/19876/19877/19878/19879/19880/19881/19882/19883/19884/19885/19886/19887/19888/19889/19890/19891/19892/19893/19894/19895/19896/19897/19898/19899/19900/19901/19902/19903/19904/19905/19906/19907/19908/19909/19910/19911/19912/19913/19914/19915/19916/19917/19918/19919/19920/19921/19922/19923/19924/19925/19926/19927/19928/19929/19930/19931/19932/19933/19934/19935/19936/19937/19938/19939/19940/19941/19942/19943/19944/19945/19946/19947/19948/19949/19950/19951/19952/19953/19954/19955/19956/19957/19958/19959/19960/19961/19962/19963/19964/19965/19966/19967/19968/19969/19970/19971/19972/19973/19974/19975/19976/19977/19978/19979/19980/19981/19982/19983/19984/19985/19986/19987/19988/19989/19990/19991/19992/19993/19994/19995/19996/19997/19998/19999/20000/20001/20002/20003/20004/20005/20006/20007/20008/20009/20010/20011/20012/20013/20014/20015/20016/20017/20018/20019/20020/20021/20022/20023/20024/20025/20026/20027/20028/20029/20030/20031/20032/20033/20034/20035/20036/20037/20038/20039/20040/20041/20042/20043/20044/20045/20046/20047/20048/20049/20050/20051/20052/20053/20054/20055/20056/20057/20058/20059/20060/20061/20062/20063/20064/20065/20066/20067/20068/20069/20070/20071/20072/20073/20074/20075/20076/20077/20078/20079/20080/20081/20082/20083/20084/20085/20086/20087/20088/20089/20090/20091/20092/20093/20094/20095/20096/20097/20098/20099/20100/20101/20102/20103/20104/20105/20106/20107/20108/20109/20110/20111/20112/20113/20114/20115/20116/20117/20118/20119/20120/20121/20122/20123/20124/20125/20126/20127/20128/20129/20130/20131/20132/20133/20134/20135/20136/20137/20138/20139/20140/20141/20142/20143/20144/20145/20146/20147/20148/20149/20150/20151/20152/20153/20154/20155/20156/20157/20158/20159/20160/20161/20162/20163/20164/20165/20166/20167/20168/20169/20170/20171/20172/20173/20174/20175/20176/20177/20178/20179/20180/20181/20182/20183/20184/20185/20186/20187/20188/20189/20190/20191/20192/20193/20194/20195/20196/20197/20198/20199/20200/20201/20202/20203/20204/20205/20206/20207/20208/20209/20210/20211/20212/20213/20214/20215/20216/20217/20218/20219/20220/20221/20222/20223/20224/20225/20226/20227/20228/20229/20230/20231/20232/20233/20234/20235/20236/20237/20238/20239/20240/20241/20242/20243/20244/20245/20246/20247/20248/20249/20250/20251/20252/20253/20254/20255/20256/20257/20258/20259/20260/20261/20262/20263/20264/20265/20266/20267/20268/20269/20270/20271/20272/20273/20274/20275/20276/20277/20278/20279/20280/20281/20282/20283/20284/20285/20286/20287/20288/20289/20290/20291/20292/20293/20294/20295/20296/20297/20298/20299/20300/20301/20302/20303/20304/20305/20306/20307/20308/20309/20310/20311/20312/20313/20314/20315/20316/20317/20318/20319/20320/20321/20322/20323/20324/20325/20326/20327/20328/20329/20330/20331/20332/20333/20334/20335/20336/20337/20338/20339/20340/20341/20342/20343/20344/20345/20346/20347/20348/20349/20350/20351/20352/20353/20354/20355/20356/20357/20358/20359/20360/20361/20362/20363/20364/20365/20366/20367/20368/20369/20370/20371/20372/20373/20374/20375/20376/20377/20378/20379/20380/20381/20382/20383/20384/20385/20386/20387/20388/20389/20390/20391/20392/20393/20394/20395/20396/20397/20398/20399/20400/20401/20402/20403/20404/20405/20406/20407/20408/20409/20410/20411/20412/20413/20414/20415/20416/20417/20418/20419/20420/20421/20422/20423/20424/20425/20426/20427/20428/20429/20430/20431/20432/20433/20434/20435/20436/20437/20438/20439/20440/20441/20442/20443/20444/20445/20446/20447/20448/20449/20450/20451/20452/20453/20454/20455/20456/20457/20458/20459/20460/20461/20462/20463/20464/20465/20466/20467/20468/20469/20470/20471/20472/20473/20474/20475/20476/20477/20478/20479/20480/20481/20482/20483/20484/20485/20486/20487/20488/20489/20490/20491/20492/20493/20494/2049</p>	

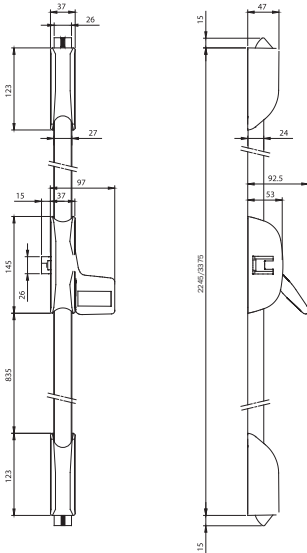


Code

Multiple package
Single package

Min. ord.

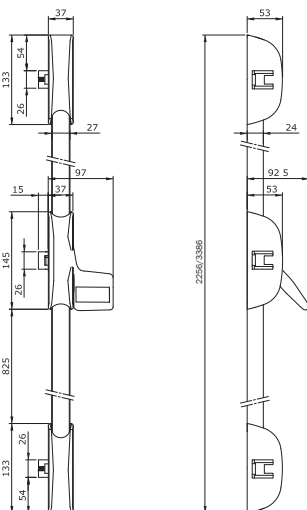
Pad PVD - Inox



Emergency exit device **"PAD PVD - Inox"** operated by means of **PUSHING PLATE** for **FIRE RESISTANT DOORS WITH TRIPLE VERTICAL LOCKING**, reversible. Rods and covers for a maximum height of mm 2265. Self-locking latchbolts. Nylon fixing spacer. Lateral, top and bottom keeps with spacers mm 1-2-3. Templates. Assembly instructions. Fixing screws.

Can be used in conjunction with: External control 9401* - External cylinder 859000859
Rods and covers 94100302 for doors mm 3400 - Keeps 94100* - Kit of thermoexpanding gaskets 94000030 - PVD finish

9463020204 1 - 1



Emergency exit device **"Pad PVD - Inox"** operated by means of **PUSHING PLATE** for **FIRE RESISTANT DOORS WITH TRIPLE HORIZONTAL LOCKING**, reversible. Rods and covers for a maximum height of mm 2265. Self-locking latchbolts. Nylon fixing spacer. Lateral, top and bottom keeps with spacers mm 1-2-3. Templates. Assembly instructions. Fixing screws.

Can be used in conjunction with: External control 9401* - External cylinder 859000859
Rods and covers 94100302 for doors mm 3400
Electric striker 56800*0 - Keeps 94100*
Kit of thermoexpanding gaskets 94000030
PVD finish

9466020204 1 - 1

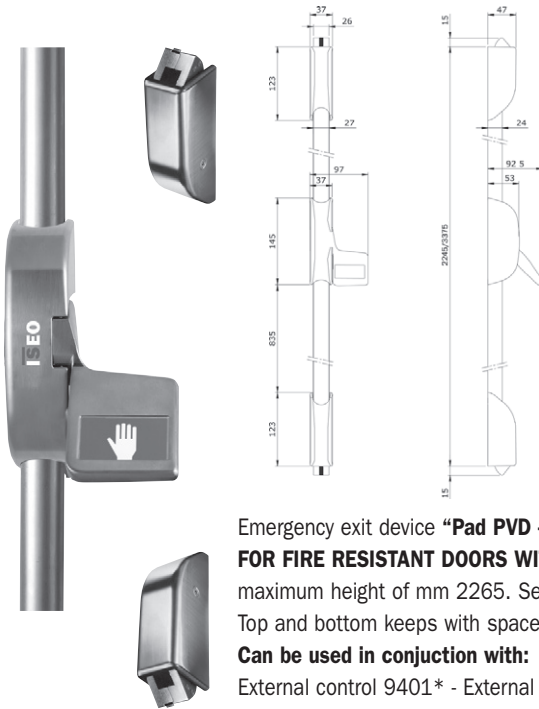
Before installation on fire/smoke resistant doors, please check the compatibility of the accessories.



Code

Min. ord.
Multiple
package
Single
package

Pad PVD - Inox



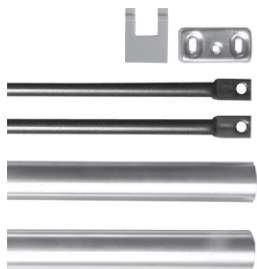
Emergency exit device “**Pad PVD - Inox**” operated by means of **PUSHING PLATE FOR FIRE RESISTANT DOORS WITH DOUBLE VERTICAL LOCKING**, reversible. Rods and covers for a maximum height of mm 2265. Self-locking latchbolts. Nylon fixing spacer. Top and bottom keeps with spacers mm 1-2-3. Templates. Assembly instructions. Fixing screws.

Can be used in conjunction with:

- External control 9401* - External cylinder 859000859
- Rods and covers 94100302 for doors mm 3400
- Keeps 94100* - Kit of thermoexpanding gaskets 94000030
- PVD finish

9462020204 1 - 1

Accessories



Stainless steel rods and covers for “PAD PVD - Inox”. For doors with a maximum height of mm 3400.

One keep for two wings, without spacers.

Cap for bar lateral latch.

94100302 1 - 1

Before installation on fire/smoke resistant doors, please check the compatibility of the accessories.

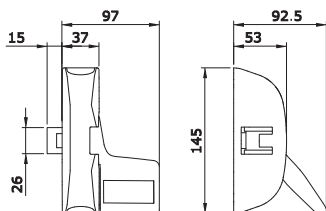


Code

Min. ord.
Multiple
package
Single
package



Pad



Emergency exit device “Pad” operated by means of **PUSHING PLATE, LATERAL LOCKING**, reversible.
 kep 94100110. Nylon fixing spacer. Templates.
 Assembly instructions. Fixing screws.

Can be used in conjunction with:

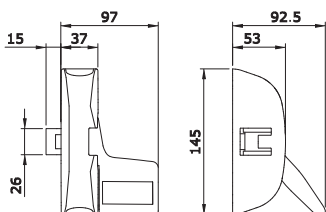
External control 9401* - External cylinder 859000857/9

Electric striker 56800*0 - Keeps 94100*

ZAMAK LATCH WITHOUT SELF-LOCKING FUNCTION. Painted white	9461000405	1	-	1	YES
ZAMAK LATCH WITHOUT SELF-LOCKING FUNCTION. Painted metal grey	9461000705	1	-	1	YES
SELF-LOCKING STEEL LATCH. Painted black for FIRE RESISTANT DOORS	9461000504	1	-	1	YES



NEW



Emergency exit device “Pad” operated by means of **PUSHING PLATE, NOT FOR FIRE RESISTANT DOORS WITH MODULAR LOCKING**, reversible.

Zamak latch without self-locking device.

Prearranged for double and triple lateral locking.
 kep 94100110. Nylon fixing spacer. Templates.
 Assembly instructions. Fixing screws.

Can be used in conjunction with:

External control 9401* - External cylinder 859000857/9

Electric striker 56800*0 - Keeps 94100*

Painted white	9464000405	1	-	1	YES
Painted black	9464000505	1	-	1	YES
Painted metal grey	9464000705	1	-	1	YES

Before installation on fire/smoke resistant doors, please check the compatibility of the accessories.

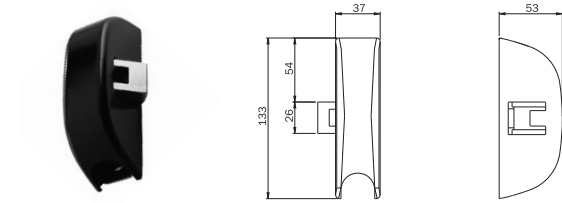


Code

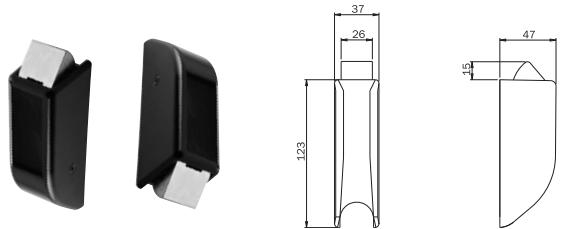
Min. ord.
Multiple
package
Single
package



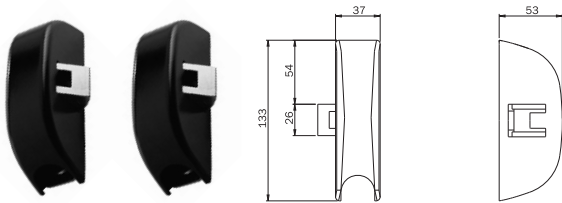
Zamak latches



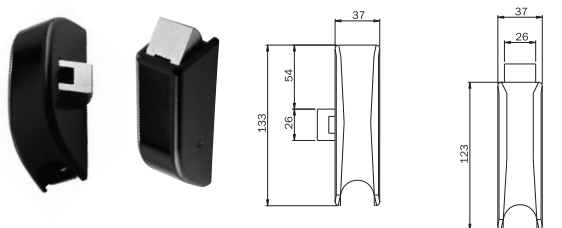
Latch for "IDEA Base" panic exit device. Painted black. Fixing screws. **9410003505** 1 - 1 YES



Pair of latches for "IDEA Base" panic exit devices. Painted black.
Top/bottom vertical locking. Zamak latch without self-locking function.
Only for panic exit doors.
Keeps 94100110+94100120. Fixing screws. **9410201505** 1 - 1 YES



Pair of latches for "IDEA Base" panic exit devices. Painted black.
Vertical locking. Zamak latch without self-locking function.
Only for panic exit doors.
Two keeps 94100100. Fixing screws. **9410203505** 1 - 1 YES



Pair of latches for "IDEA Base" panic exit devices. Painted black.
Top vertical locking and lateral bottom locking. Zamak latch without self-locking function.
Only for panic exit doors.
Two keeps 94100100. Fixing screws. **9410204505** 1 - 1 YES

WHITE AND METAL GREY ON REQUEST

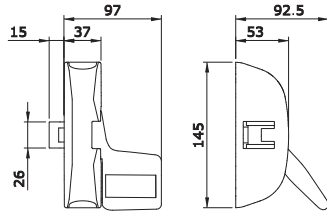


Code

Min. ord.
Multiple
package
Single
package



Pad



Emergency exit device “Pad” operated by means of **PUSHING PLATE, FOR FIRE RESISTANT DOORS WITH MODULAR LOCKING**, reversible. Prearranged for double and triple lateral locking. **SELF-LOCKING STEEL LATCH**, keep 94100110. Nylon fixing spacer. Templates. Assembly instructions. Fixing screws.

Can be used in conjunction with:

External control 9401* - External cylinder 859000857/9
Electric striker 56800*0 - Keeps 94100*

Painted white	9464000404	1	-	1	YES
Painted black	9464000504	1	-	1	YES
Painted metal grey	9464000704	1	-	1	YES

Before installation on fire/smoke resistant doors, please check the compatibility of the accessories.



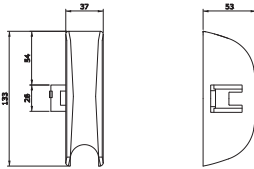
Code

Multiple package
Single package

Min. ord.

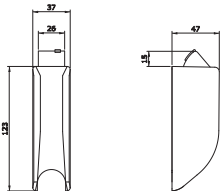


Steel latches



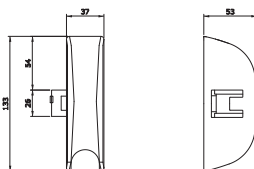
Painted latch for panic exit devices “**IDEA Base**” and “**Push**”. Self-locking steel latch suitable for fire resistant doors. Fixing screws.

Painted white	9410003404	1	-	1	YES
Painted black	9410003504	1	-	1	YES
Painted metal grey	9410003704	1	-	1	YES



Pair of painted latches for panic exit devices “**IDEA Base**” and “**Push**”. Top and bottom vertical locking. Self-locking steel latch suitable for fire resistant doors. Keeps 94100110+94100120. Fixing screws.

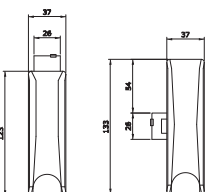
Painted white	9410201404	1	-	1	YES
Painted black	9410201504	1	-	1	YES
Painted metal grey	9410201704	1	-	1	YES



Pair of painted latches for panic exit devices “**IDEA Base**” and “**Push**”. Top and bottom lateral locking. Self-locking steel latch suitable for fire resistant doors.

Two keeps 94100100. Fixing screws.

Painted white	9410203404	1	-	1	YES
Painted black	9410203504	1	-	1	YES
Painted metal grey	9410203704	1	-	1	YES



Pair of painted latches for panic exit devices “**IDEA Base**” and “**Push**”. Top vertical and bottom lateral locking. Two keeps 94100110. Fixing screws.

Painted black	9410204504	1	-	1	YES
Painted metal grey	9410204704	1	-	1	YES



Code

Single package
Multiple package

Min. ord.



Accessories



Rods and covers. One keep for two wings, without spacers.

Cap for bar lateral latch.

For doors with maximum height mm 2400 painted white	94100204	1	-	1	YES
For doors with maximum height mm 2400 painted black	94100205	1	-	1	YES
For doors with maximum height mm 2400 painted metal grey	94100207	1	-	1	YES
For doors with maximum height mm 3400 painted grey	■ 94100303	1	-	1	YES
For doors with maximum height mm 3400 painted white	94100304	1	-	1	YES
For doors with maximum height mm 3400 painted black	94100305	1	-	1	YES
For doors with maximum height mm 3400 painted metal grey	94100307	1	-	1	YES

■ = Discontinued

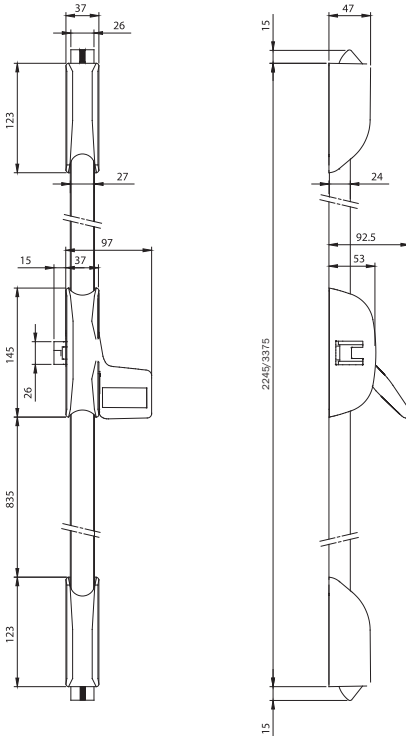


Code

Min. ord.
Multiple
package
Single
package



Pad



Emergency exit device **"Pad"** operated by means of **PUSHING PLATE** for **FIRE RESISTANT DOORS WITH TRIPLE VERTICAL LOCKING**, reversible.

Rods and covers for a maximum height of mm 2265.

Self-locking latchbolts. Nylon fixing spacer.

Lateral, top and bottom keeps with spacers mm 1-2-3.

Templates. Assembly instructions. Fixing screws.

Can be used in conjunction with:

External control 9401*

External cylinder 859000857/9

Rods and covers 9410030* for doors mm 3400.

Keeps 94100*

Kit of thermoexpanding gaskets 94000030

Painted black	9463020504	1	-	1	YES
Painted metal grey	9463020704	1	-	1	YES

Before installation on fire/smoke resistant doors, please check the compatibility of the accessories.



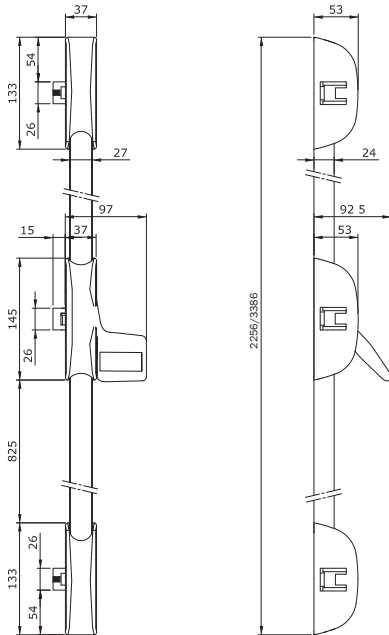
Code

Multiple package
Single package

Min. ord.



Pad



Emergency exit device **“Pad”** operated by means of **PUSHING PLATE** for **FIRE RESISTANT DOORS WITH TRIPLE HORIZONTAL LOCKING**, reversible.
Rods and covers for a maximum height of mm 2265. Self-locking latchbolts.
Nylon fixing spacer. Lateral, top and bottom keeps with spacers mm 1-2-3. Templates.
Assembly instructions. Fixing screws.

Can be used in conjunction with:

- External control 9401*
- External cylinder 859000857/9
- Rods and covers 9410030* for doors mm 3400.
- Electric striker 56800*0
- Keeps 94100*
- Kit of thermoexpanding gaskets 94000030

Painted white	9466020404	1	-	1	YES
Painted black	9466020504	1	-	1	YES
Painted metal grey	9466020704	1	-	1	YES

Before installation on fire/smoke resistant doors, please check the compatibility of the accessories.



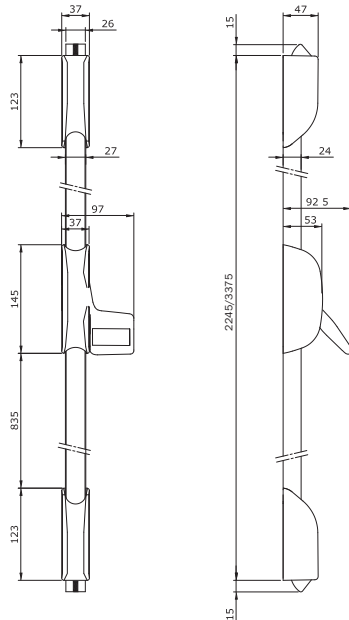
Code

Multiple package
Single package

Min. ord.



Pad



Emergency exit device “Pad” operated by means of **PUSHING PLATE** for **FIRE RESISTANT DOORS WITH DOUBLE VERTICAL LOCKING**, reversible. Rods and covers for a maximum height of mm 2265. Self-locking latchbolts. Nylon fixing spacer. Top and bottom keeps with spacers mm 1-2-3. Templates. Assembly instructions. Fixing screws.

Can be used in conjunction with:

- External control 9401*
- External cylinder 859000857/9
- Rods and covers 9410030* for doors mm 3400.
- Keeps 94100*
- Kit of thermoexpanding gaskets 94000030

Painted white	9462020404	1	-	1	YES
Painted black	9462020504	1	-	1	YES
Painted metal grey	9462020704	1	-	1	YES

Accessories



Painted rods and covers for “Pad”. For doors with a maximum height of mm 3400.

One keep for two wings, without spacers. **Cap for bar lateral latch.**

Painted grey	94100303	1	-	1	YES
Painted white	94100304	1	-	1	YES
Painted black	94100305	1	-	1	YES
Painted metal grey	94100307	1	-	1	YES

■ = Discontinued

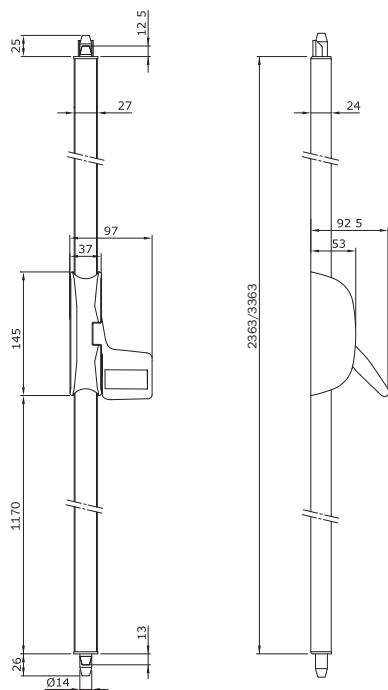
Before installation on fire/smoke resistant doors, please check the compatibility of the accessories.



Code

Min. ord.
Multiple
package
Single
package

Pad-Bolt PVD - Inox



Emergency exit device “Pad Bolt PVD - Inox” operated by means of **PUSHING PLATE FOR FIRE RESISTANT DOORS, WITH DOUBLE VERTICAL LOCKING**, reversible. Rods and covers for a maximum height of mm 2400.

Keep for flush bolt. Bolt keep. Self-locking top and bottom flush bolt.

Template. Assembly instructions. Fixing screws.

Can be used in conjunction with:

External control 9401*

External cylinder 859000859

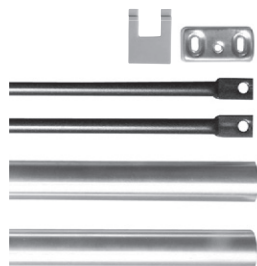
Rods and covers 94300302 for doors mm 3400

Kit of thermoexpanding gaskets 94000030

PVD finish

9472020204 1 - 1

Accessories



Rods and covers. One keep for two wings, without spacers. **Cap for bar lateral latch.**

For doors with a maximum height of mm 3400, PVD finish

94300302 1 - 1



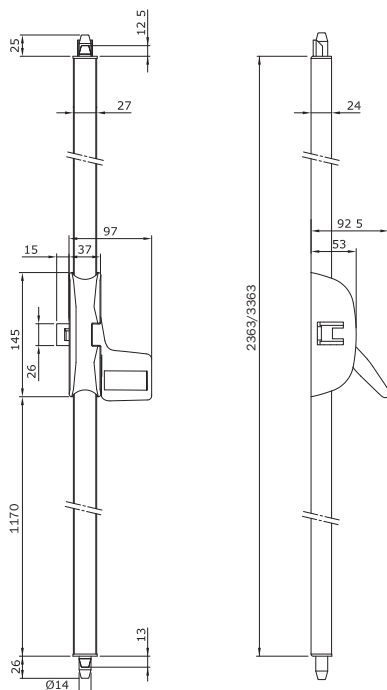
Code

Multiple package
Single package

Min. ord.



Pad-Bolt



Emergency exit device **"Pad Bolt"** operated by means of **PUSHING PLATE FOR FIRE RESISTANT DOORS, WITH TRIPLE VERTICAL LOCKING**, reversible.

Rods and covers for a maximum height of mm 2400.

Keeps for flush bolt. Bolt and lateral keeps.

Self-locking top and bottom flush bolt.

Template. Assembly instructions. Fixing screws.

Can be used in conjunction with:

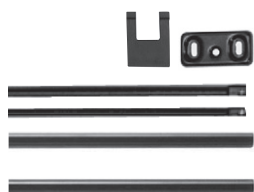
External control 9401*

External cylinder 859000857/9

Rods and covers 9430030* for doors mm 3400.

Kit of thermoexpanding gaskets 9400030

Painted white	9473020404	1	-	1	YES
Painted black	9473020504	1	-	1	YES
Painted metal grey	9473020704	1	-	1	YES



Before installation on fire/smoke resistant doors, please check the compatibility of the accessories.



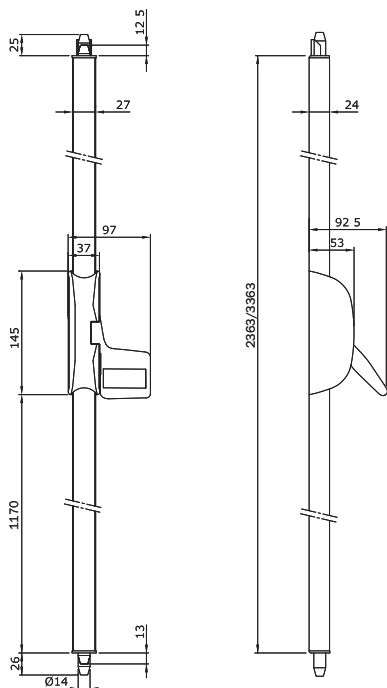
Code

Multiple package
Single package

Min. ord.



Pad-Bolt



Emergency exit device “Pad Bolt” operated by means of **PUSHING PLATE FOR FIRE RESISTANT DOORS, WITH DOUBLE VERTICAL LOCKING**, reversible.

Rods and covers for a maximum height of mm 2400.

Keeps for flush bolt. Bolt keep. Self-locking top and bottom flush bolt. Template.

Assembly instructions. Fixing screws.

Can be used in conjunction with:

External control 9401*

External cylinder 859000857/9

Rods and covers 9430030* for doors mm 3400.

Kit of thermoexpanding gaskets 94000030

Painted white	9472020404	1	-	1	YES
Painted black	9472020504	1	-	1	YES
Painted metal grey	9472020704	1	-	1	YES

Accessories

Rods and covers. One keep for two wings, without spacers.

Cap for bar lateral latch.

For doors with maximum height mm 3400 Painted white	94300304	1	-	1	YES
For doors with maximum heightmm 3400 Painted black	94300305	1	-	1	YES
For doors with maximum heightmm 3400 Painted metal grey	94300307	1	-	1	YES

Before installation on fire/smoke resistant doors, please check the compatibility of the accessories.



Belvedere

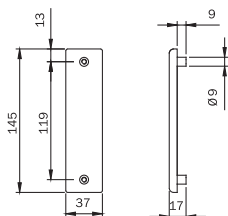
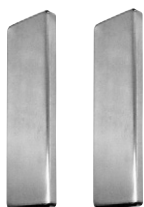
**Assembly kit
for glass doors.
Fitting for IDEA Base
Push and Bolt
panic exit devices**

Code

Multiple
package
Single
package

Min. ord.

Belvedere



Assembly kit for glass doors thickness max 12 mm. **FOR CENTRAL LOCK ASSEMBLY TYPE "A".**
WITHOUT EXTERNAL CONTROL. Reversible. PVD finish cover plates,
gaskets, fixing screws. Instructions.

Can be used in conjunction with:

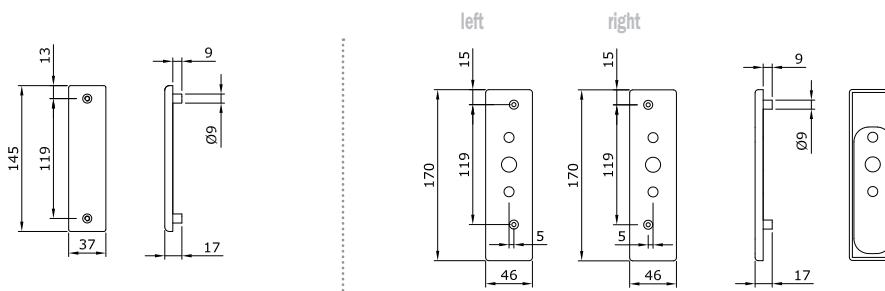
panic exit devices "IDEA Base"

panic exit devices "IDEA Bolt"

94100506

1 - 1

External right-hand



Assembly kit for glass thickness max 12 mm. **FOR CENTRAL LOCK ASSEMBLY TYPE "A".**

CAN BE USED WITH EXTERNAL CONTROL FOR DOOR OPENING.

PVD finish cover plates, gaskets, fixing screws. Instructions.

Can be used in conjunction with:

panic exit devices "IDEA Base"

panic exit devices "IDEA Bolt"

External control TRIM art. 94021002 - 94021005 - 94021025

EXTERNAL RIGHT-HAND

94100516

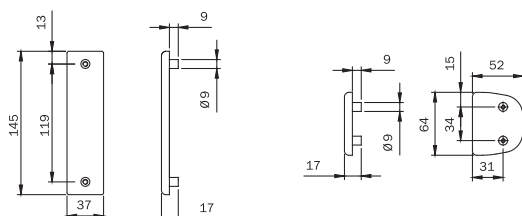
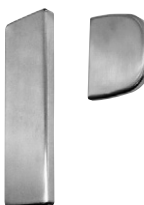
1 - 1

EXTERNAL LEFT-HAND

94100526

1 - 1

External left-hand



Assembly kit for glass thickness max 12 mm. **FOR CENTRAL LOCK ASSEMBLY TYPE "B".**

WITHOUT EXTERNAL CONTROL. REVERSIBLE. PVD finish cover plates, gaskets,

fixing screws. Instructions.

Can be used in conjunction with:

panic exit devices "Push"

panic exit devices "Push Bolt"

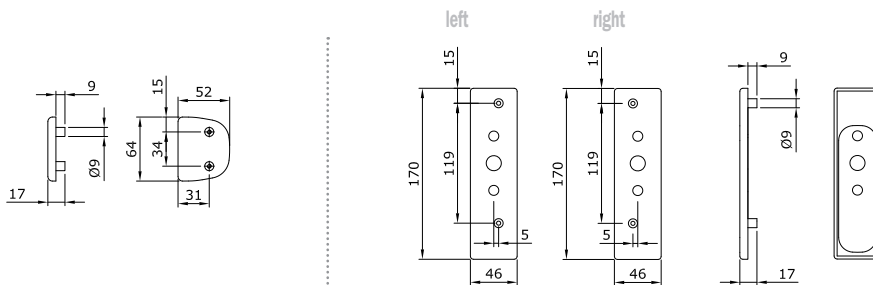
94100536

1 - 1

Code

Min. ord.
Multiple
package
Single
package

Belvedere



Assembly kit for glass thickness max 12 mm. **FOR CENTRAL LOCK ASSEMBLY TYPE "B"**.
CAN BE USED WITH EXTERNAL CONTROL FOR DOOR OPENING. PVD finish cover plates,
gaskets, fixing screws. Instructions.

Can be used in conjunction with:

panic exit devices "Push"

panic exit devices "Push Bolt"

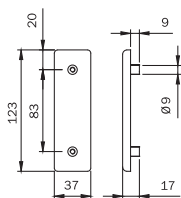
External control TRIM art. 94021002 - 94021005 - 94021025

EXTERNAL RIGHT-HAND

94100546 1 - 1

EXTERNAL LEFT-HAND

94100556 1 - 1

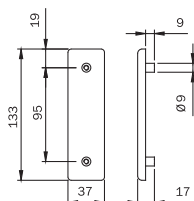


Assembly kit for glass thickness max 12 mm. **FOR PAIR OF VERTICAL LATCHES "IDEA Base"**.
PVD finish cover plates, gaskets, fixing screws. Instructions.

Can be used in conjunction with:

Pair of vertical latches 94102015*

94100566 1 - 1



Assembly kit for glass thickness max 12 mm. **FOR PAIR OF LATERAL LATCHES "IDEA Base"**.
PVD finish cover plates, gaskets, fixing screws. Instructions.

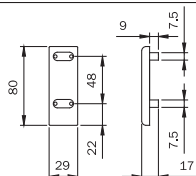
Can be used in conjunction with:

Pair of lateral latches 94102035*

94100576 1 - 1

Code
Multiple
package
Single
package
Min. ord.

Belvedere

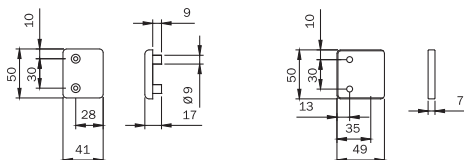


Assembly kit for glass thickness max 12 mm. **FOR PAIR OF VERTICAL RODS "Bolt"**.
PVD finish cover plates, gaskets, fixing screws. Instructions.

Can be used in conjunction with:

Panic exit devices IDEA Bolt - Push Bolt art. 943* - 945*

94100586 1 - 1

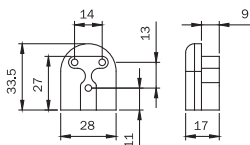


Assembly kit for glass thickness max 12 mm. **FOR LATERAL KEEP AND TOP VERTICAL KEEP**.
PVD finish cover plates, gaskets, fixing screws. Instructions.

Can be used in conjunction with:

keeps art. 9410010* - 9410011*

94100596 1 - 1

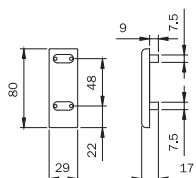


Assembly kit for glass thickness max 12 mm. **FOR ADJUSTABLE TOP KEEP**
FOR PANIC EXIT DEVICES "Bolt". PVD finish cover plates, gaskets, fixing screws. Instructions.

Can be used in conjunction with:

Panic exit devices IDEA Bolt - Push Bolt- Pad Bolt

94100606 1 - 1

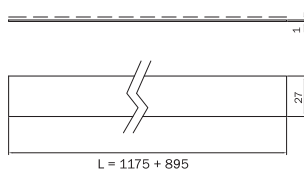


Assembly kit for glass thickness max 12 mm. **FOR RODS COVER EXTENSION**.
PVD finish cover plates, gaskets, fixing screws. Templates. Instructions.

Can be used in conjunction with:

All rod and cover kits for door with maximum height of mm 3400

94100636 1 - 1



Kit of rod covering profiles
for assembly on glass doors

94100616 1 - 1

IDEA Base: Application scheme for single leaf glass doors

		WITH LATCHES										BOLT				
94100506																
94100516		▲	▲	▲	▲	▲	▲	▲	▲	▲	▲	▲	▲	▲	▲	▲
94100526																
94100566				●	●	●	●	●								
94100576									●	●	●	●				
94100586												●	●	●	●	●
94100596			●		●		●	●		●	●					●
94100606													●		●	●
94100616				●	●	●	●	●	●	●	●	●	●	●	●	●

- = Necessary items (● ● = 2 pcs, ● ● ● ● = 3 pcs)
- ▲ = Choose 1 kit according to the external control and the "hand" of door
- = Choose 2 kits according to the external control and the "hand" of door

IDEA Base: Application scheme for double glass doors

		WITH LATCHES						BOLT	
94100506									
94100516		■	■	■	■	■	■	■	■
94100526									
94100566		●	●	●	●	●			
94100576				●	●	●	●		
94100586								●	●
94100596		●	● ●	● ● ●	● ● ● ●	● ●	● ● ●	●	●
94100606									●
94100616		●	●	● ●	● ●	● ●	● ●	●	●

- = Necessary items (● ● = 2 pcs, ● ● ● = 3 pcs)
- ▲ = Choose 1 kit according to the external control and the "hand" of door
- = Choose 2 kits according to the external control and the "hand" of door

Push: Application scheme for single leaf glass doors

	WITH LATCHES										BOLT				
94100536															
94100546	▲	▲	▲	▲	▲	▲	▲	▲	▲	▲	▲	▲	▲	▲	▲
94100556															
94100566			●	●	●	●	●								
94100576								●	●	●	●				
94100586												●	●	●	●
94100596		●		●		●	●	●	●	●	●				●
94100606												●		●	●
94100616			●	●	●	●	●	●	●	●	●	●	●	●	●

- = Necessary items (● ● = 2 pcs, ● ● ● ● = 3 pcs)
- ▲ = Choose 1 kit according to the external control and the "hand" of door
- = Choose 2 kits according to the external control and the "hand" of door

Push: Application scheme for double glass doors

	WITH LATCHES						BOLT	
94100536								
94100546	■	■	■	■	■	■	■	■
94100556								
94100566	●	●	●	●	●	●		
94100576			●	●	●	●		
94100586							●	●
94100596	●	● ●	● ● ●	● ● ● ●	● ●	● ● ●	●	●
94100606								●
94100616	●	●	● ●	● ●	● ●	● ●	●	●

- = Necessary items (● ● = 2 pcs, ● ● ● = 3 pcs)
- ▲ = Choose 1 kit according to the external control and the "hand" of door
- = Choose 2 kits according to the external control and the "hand" of door



Trim-Tronic
Electronic control

Trim-Tronic

The Trim-Tronic unit interfaces with multipoint locking panic bars, providing a long awaited solution to the problem where a door is opened by a panic bar from the inside but cannot be accessed from the outside.

The Trim-Tronic allows you to use access control on panic exit, overriding the bar from the outside whilst still allowing safe emergency exit from the building.

Protection grade: IPX5

The device can be **used also outdoors**.

Key points

Designed to interact with all ISEO panic exit devices with 1, 2 and 3 top and bottom locking points.

Conceived to comply with the requirements of EN 1125:08 standard.

Works on single and double doors.

Can replace any mechanical ISEO outside access unit.

Provided with anti-vandalism handle.

Can be easily installed on any type of frame (aluminium, pvc, wood, etc.).

12 Vdc power supply.

Main functions

- It can be combined with mechanical mortice panic exit devices.
- Mechanical free access mode: it allows free access from outside for a programmed time.
- It is reversible: can be installed both on right and left handed doors.
- The handle can be enabled and disabled through the cylinder. The 2 signaling Leds indicate the handle enabling status.
- Handle enabled and disabled by two remote electric pulses connected with cable (ref. 94403030E) and connector which also transfers the power supply and signals handle status.
- Remote electric pulse are:
Pushbutton 1: handle enabled for 5 seconds or for the time the pushbutton is pressed
Pushbutton 2: key disabled.

Technical features:

Zamak case.

Idle handle if disabled.

Power supply 12 Vdc (2A peak).

Handle and key status signaling output (enabled/disabled)

Enabling/disabling pushbutton input.

Mechanical key locking pushbutton input.

European single profile cylinder, mm 40 (30-10).

Handle follower 8 mm.

Operating temperature: from -20°C to 60°C.



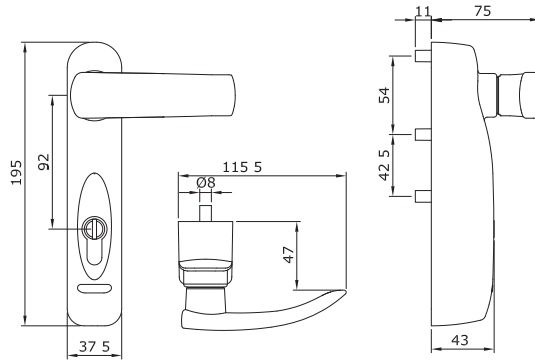
Code

Multiple
package
Single
package

Min. ord.



Trim-Tronic



EXTERNAL ELECTROMECHANICAL CONTROL FOR PANIC EXIT DEVICES.
It can be used in combination with mechanical rim panic exit devices.
It can be installed both on RIGHT and LEFT handed doors.
Zamak case. Power supply 12 Vdc.

Supplied with:

R6 European monoprofile cylinder 40 mm with 3 keys, ref. 880930109.
Handle follower. Fixing screws. Template and assembly instructions.

Connecting cable 5 m.

Accessories to be ordered separately:

Power supply unit 12 Vdc-2A code 94403000E.
Wing cable guide code 94403010E.

Protection grade: IPX5

The device can be **used also outdoors.**

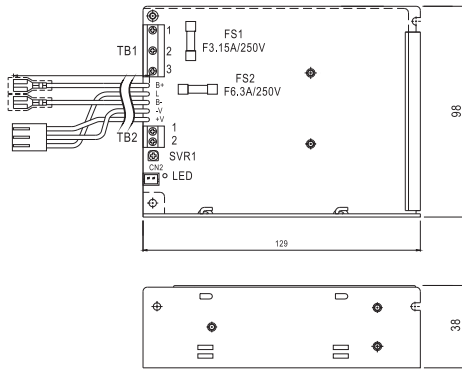
PAINTED ENDUR4NCE	9409130RE	1	-	1	YES
PAINTED WHITE	94091304E	1	-	1	YES
PAINTED BLACK	94091305E	1	-	1	YES
PAINTED METAL GREY	94091307E	1	-	1	YES

Code

Multiple
package
Single
package

Min. ord.

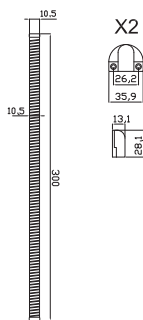
Accessories



230 VAC. power supply - 13.8VDC - 3,6A

94403000E

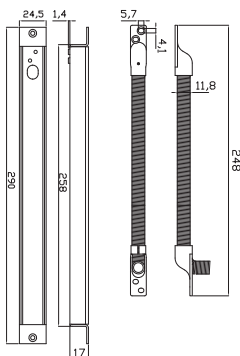
1 - 1



External soft cable tube L= mm 300
opening up to 180°

94403010E

1 - 1



Built-in soft cable tube L= mm 260
opening up to 90°

94403110E

1 - 1



Connection cable 5 mt. for TRIM TRONIC.

94403030E

1 - 1



Trim

External control



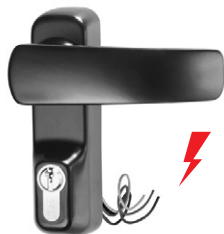
Code

Multiple package
Single package

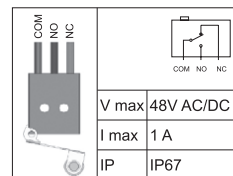
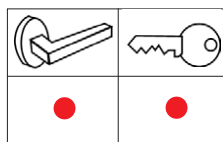
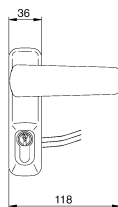
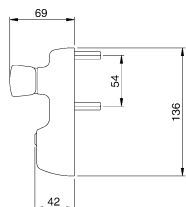
Min. ord.



Trim



Door maximum thickness mm 105

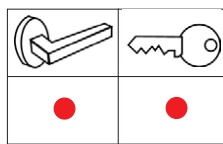
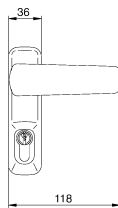
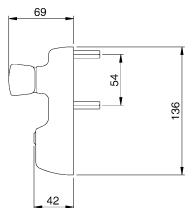


External control with microswitch for panic exit devices. For fire resistant doors, supplied with **HANDLE AND CYLINDER** art. 820930109. The **MICROSWITCH RELEASES** the signal of “handle locked” i.e. “Closed” and “Handle free” i.e. “open”. Door maximum thickness mm 105.

Painted grey	■ 94011013T	1	-	1	YES
Painted white	94011014T	1	-	1	YES
Painted black	94011015T	1	-	1	YES
Painted metal grey	94011017T	1	-	1	YES



Door maximum thickness mm 105

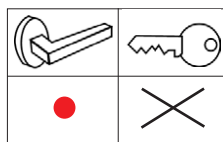
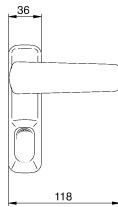
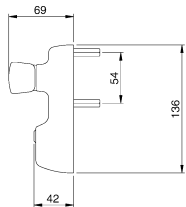


Painted external control for panic exit devices. For fire resistant doors, supplied with **HANDLE** and 5-pin European profile **CYLINDER** art. 820930109. Handle follower. Fixing screws. Instructions.

PVD finish	94011002T	1	-	1	NON
Painted ENDUR4NCE	9401100RT	1	-	1	NON
Painted grey	■ 94011003T	1	-	1	YES
Painted white	94011004T	1	-	1	YES
Painted black	94011005T	1	-	1	YES
Painted metal grey	94011007T	1	-	1	YES



Door maximum thickness mm 105



External control for panic exit devices. For fire resistant doors, **HANDLE ONLY**. Handle follower. Fixing screws. Instructions

Painted grey	■ 94014003T	1	-	1	YES
Painted white	94014004T	1	-	1	YES
Painted black	94014005T	1	-	1	YES
Painted metal grey	94014007T	1	-	1	YES

cylinder code 820930109 = finish nickel
cylinder code 820930107 = finish brass

■ = Discontinued



Code

Multiple package
Single package

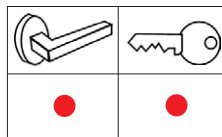
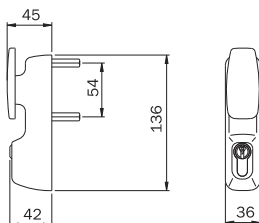
Min. ord.



Trim



Door maximum thickness mm 105

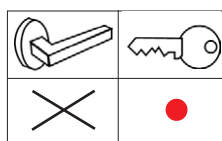
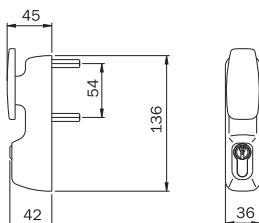


External control for panic exit devices. For fire resistant doors, supplied with **MOBILE KNOB** and 5-pin European profile **CYLINDER** art. 820930109. Mobile knob follower. Fixing screws. Instructions.

PVD finish	94012002T	1	-	1	NON
Painted white	94012004T	1	-	1	YES
Painted black	94012005T	1	-	1	YES
Painted metal grey	94012007T	1	-	1	YES



Door maximum thickness mm 105

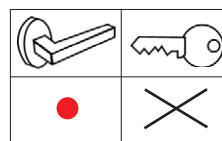
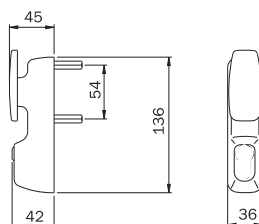


External control for panic exit devices. For fire resistant doors, supplied with **FIX KNOB** and 5-pin European profile **CYLINDER** art. 820930109. Fix knob follower. Fixing screws. Instructions.

Painted grey	■ 94013003T	1	-	1	YES
Painted white	94013004T	1	-	1	YES
Painted black	94013005T	1	-	1	YES
Painted metal grey	94013007T	1	-	1	YES



Door maximum thickness mm 105



External control for panic exit devices. For fire resistant doors. **MOBILE KNOB ONLY.** Handle follower. Fixing screws. Instructions.

Painted grey	■ 94015003T	1	-	1	YES
Painted white	94015004T	1	-	1	YES
Painted black	94015005T	1	-	1	YES
Painted metal grey	94015007T	1	-	1	YES

cylinder code 820930109 = finish nickel
cylinder code 820930107 = finish brass

■ = Discontinued

Code

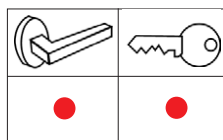
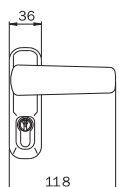
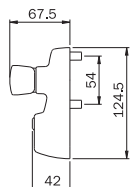
Min. ord.
Multiple package
Single package



Trim



Door maximum thickness mm 105

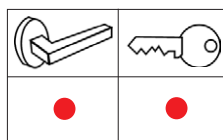
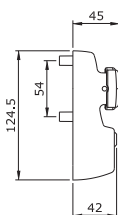
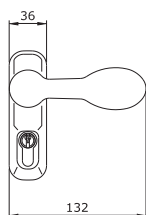


Painted external control for panic exit devices. Supplied with **HANDLE** and 5-pin European profile **CYLINDER** art. 820930107. Handle follower. Fixing screws. Instructions.

PVD finish	94021002	1	-	1	NO
ENDUR4NCE finish	9402100r	1	-	1	NO
Painted white	94021004	1	-	1	YES
Painted black	94021005	1	-	1	YES
Painted metal grey	94021007	1	-	1	YES



Door maximum thickness mm 105

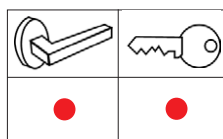
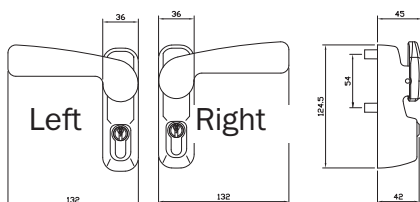


Painted external control for panic exit devices. Supplied with lowered **HANDLE** and 5-pin European profile **CYLINDER** art. 820930107. Handle follower. Fixing screws. Instructions.

Painted black	94021025	1	-	1	YES
---------------	-----------------	---	---	---	-----

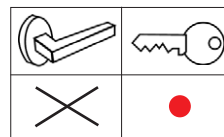
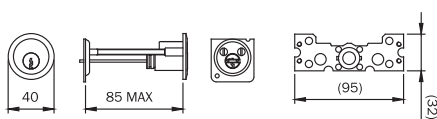


Door maximum thickness mm 105



Painted external control for panic exit devices, supplied with lowered **HANDLE** and 5-pin European profile **CYLINDER** art. 820930107. Painted black. Handle follower. Fixing screws. Instructions. **NON REVERSIBLE.**

Left	94021035..D	1	-	1	YES
Right	94021035..S	1	-	1	YES



External cylinder for installation on doors with a maximum, thickness of mm 85. Big 5-pin key. Plate and screws for inside fixing. Adaptor. Instructions. 3 keys.

Brass	859000857	1	10	10	NO
Nickel plated brass	859000859	1	10	10	NO

cylinder code 820930109 = finish nickel
cylinder code 820930107 = finish brass



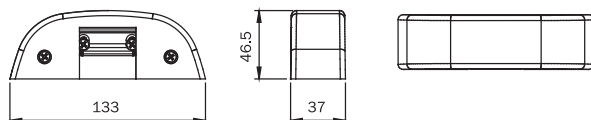
Code

Multiple
package
Single
package

Min. ord.



Match for panic exit devices



Electric striker for panic exit devices "IDEA Base" and "Push".

OPENING WITH PERMANENT RELEASE

by electric pulse. Suitable for PVC, wooden and aluminium frames, both coplanar and with rebate up to mm 24.

Not suitable for fire resistant doors.

Power supply **12V. A.C. - DC 15W***. Electrical absorption **0,5A - 0,7A**.

finish ENDUR4NCE	568000R	1	-	1	YES
Painted black	5680000	1	-	1	YES
Painted white	5680004	1	-	1	YES
Painted metal grey	5680007	1	-	1	YES

Electric striker for panic exit devices "IDEA Base" and "Push".

OPENING WITH LIMITED RELEASE

(only during the electric pulse). Suitable for PVC, wooden and aluminium frames, both coplanar and with rebate up to mm 24. **Not suitable for fire resistant doors.**

Power supply **24V. A.C. - DC 15W***. Electrical absorption **0,5A**.

Painted black	5680020	1	-	1	YES
Painted white	5680024	1	-	1	YES
Painted metal grey	5680027	1	-	1	YES

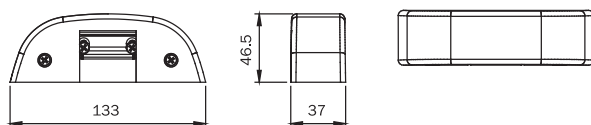
Electric striker for panic exit devices "Fail Safe".

Not suitable for fire resistant doors.

Power supply **12VDC 15W**. Electrical absorption **0,2A**.

Painted black	5680100	1	-	1	YES
Painted metal grey	5680107	1	-	1	YES

* DC: maximum power supply time 10 seconds



COVERING KIT FOR ELECTRIC STRIKER 56800**. Composed of:
device cover and fixing plate.

Electric striker to be ordered separately.

PVD finish	5680012	1	-	1	NO
------------	----------------	---	---	---	----

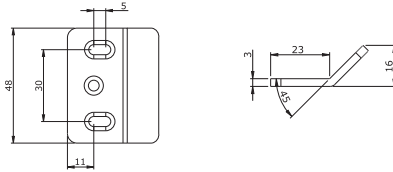


Code

Min. ord.
Multiple
package
Single
package

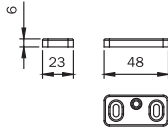


Keeps



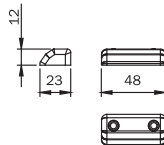
Steel lateral keep for panic exit devices "IDEA Base", "Push", "Pad" and "Bolt"
also for FIRE RESISTANT doors.

Painted black	94100145	1	-	5	YES
Painted white	94100144	1	-	5	YES
Painted metal grey	94100147	1	-	5	YES



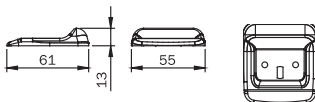
Keep for panic exit devices "IDEA Base" and "Push", lateral locking, in painted steel with spacers.
Suitable for FIRE RESISTANT doors. For double doors. Universal for all profiles.

Painted black	94100100	1	-	5	YES
Stainless steel	94100102	5	-	5	NO
Painted grey	94100103	1	-	5	YES
Painted white	94100104	1	-	5	YES
Painted metal grey	94100107	1	-	5	YES



Keep for panic exit devices "IDEA Base" and "Push", top and lateral locking, in painted steel with spacers.
Suitable for FIRE RESISTANT doors. Universal for all profiles.

Painted black	94100110	1	-	5	YES
Stainless steel	94100112	1	-	5	NO
Painted metal grey	94100117	1	-	5	YES



Keep for panic exit devices "IDEA Base" and "Push", floor locking, in painted steel.
Suitable for FIRE RESISTANT doors.

Painted black	94100120	1	-	5	YES
Painted white	94100124	1	-	5	YES
Nickel plated	94100127	1	-	5	YES
Painted metal grey	94100227	1	-	5	YES



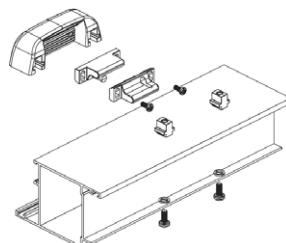
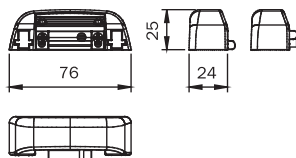
Code

Multiple package
Single package

Min. ord.



Keeps

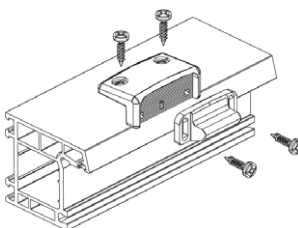
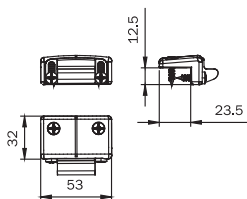


Adjustable PVD keep for panic exit devices "IDEA Base" and "Push", top or lateral painted with zamak slide.

For single and double doors. Suitable for coplanar frames and frames with a rebate up to mm 11.

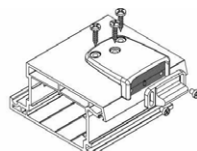
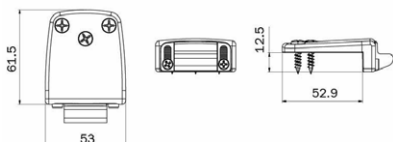
Fixing screws. Instructions.

Painted black	94100130	1	-	5	YES
PVD finish	94100132	1	-	5	NO
Painted white	94100134	1	-	5	YES
Painted metal grey	94100137	1	-	5	YES



Adjustable PVD keep for panic exit devices "IDEA Base" and "Push" top or lateral locking painted with zamak slide. For single and double doors. Suitable for frames with a rebate from mm 14 to mm 24. Fixing screws. Instructions.

Painted black	94100150	1	-	5	YES
PVD finish	94100152	1	-	5	NO
Painted grey	94100153	1	-	5	YES
Painted white	94100154	1	-	5	YES
Painted metal grey	94100157	1	-	5	YES



Adjustable PVD keep for panic exit devices "IDEA Base" and "Push" top or lateral locking painted with zamak slide. For single and double doors. Suitable for frames with a rebate from mm 14 to mm 24. Fixing screws. Instructions.

Painted black	94100250	1	-	5	YES
PVD finish	94100252	1	-	5	NO
Painted white	94100254	1	-	5	YES
Painted metal grey	94100257	1	-	5	YES



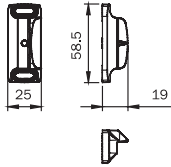
Code

Multiple
package
Single
package

Min. ord.

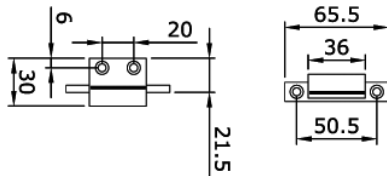


Keeps

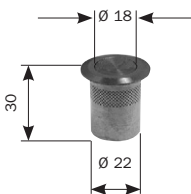


Keep for panic exit devices "IDEA Base" and "Push", with top and lateral locking, zamak.
For metal and wooden frames

Black zinc-plated	94100090	5	-	5	NO
Painted metal grey	94100097	5	-	5	YES



Nylon lateral keep for panic exit devices "Push Bar". For wooden or PVC doors.	949856	1	-	1	NO
--	---------------	---	---	---	----



Brass floor bush with spring cap for rods. Inside hole \varnothing 18.
For "Bolt" panic exit device vertical rod.

	040807	10	-	10	NO
--	---------------	----	---	----	----



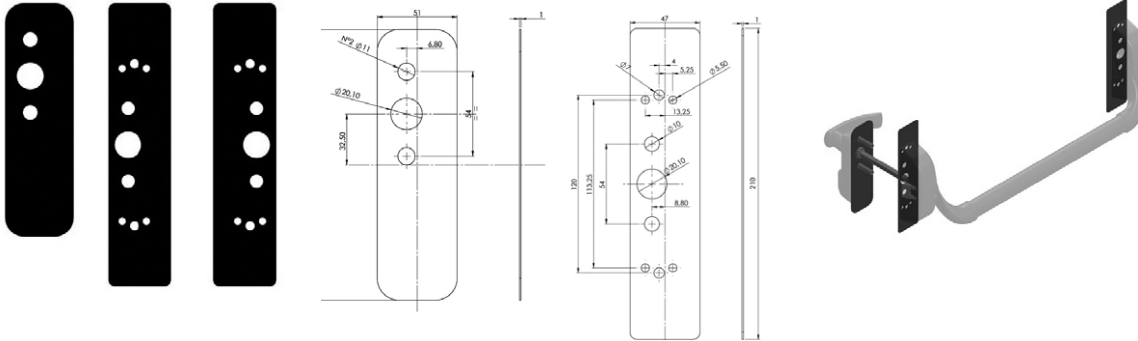
Code

Multiple
package
Single
package

Min. ord.



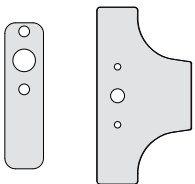
Accessories



Retrofit plates kit, painted black. To be used with ISEO "IDEA Base" and "Bolt" series device for the **REPLACEMENT** of panic exit devices even not manufacture by ISEO.

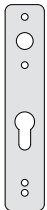
1 plate for external control and 2 plates for devices.

94100655 10 - 10 YES



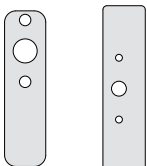
Kit of thermoexpanding gaskets for panic exit devices "Push Bar" and "Trim"
For FIRE RESISTANT DOORS

94000010 10 - 10 NO



Kit of thermoexpanding gaskets, lock side, for panic exit devices "Push Palmo"
For FIRE RESISTANT DOORS cod. 9449

94000020 10 - 10 NO



Kit of thermoexpanding gaskets for panic exit device "IDEA Base" and "Trim"
For FIRE RESISTANT DOORS

94000030 10 - 10 NO



Zinc-plated steel plate, for "IDEA Base" and "Push" for bar fixing.
Suitable for fire resistant doors. Fixing screws.

94100040 10 - 10 NO



Zinc-plated steel plate, for "IDEA Base" and "Push" for top/bottom latches fixing.
Suitable for fire resistant doors. Fixing screws.

94100050 10 - 10 NO



Code

Single
package

Multiple
package

Min. ord.
AMH
GERM

Accessories



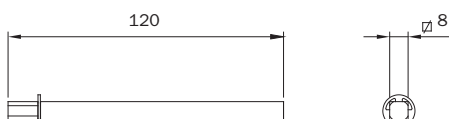
Hold-open kit to be installed in the bracket of the **"IDEA Base"** and **"Bolt"** pushbars. **94100070** 10 - 10 NO



Back housing, painted black, with hold-open function for **"Push"** 9424 series (page 6-36).

Painted black **94200075** 1 - 1 YES

Painted metal grey **94200077** 1 - 1 YES



Extended handle follower for doors with thickness up to mm 105. **947880** 10 - 10 NO



Accessory for rod guides. **94100195** 10 - 10 NO



Plug in nylon for panic exit devices latchbolt, **"IDEA Base"**, **"Push"** and **"PAD"** type.

GREY **94100703** 10 - 10 NO

WHITE **94100704** 10 - 10 NO

BLACK **94100705** 10 - 10 NO

Microswitches



Microswitch, to be installed in the bracket of the **"IDEA Base"**, **"Bolt"** chassis, and **"Base Infilare"** used to detect door opening.

Can be used with security system. Instructions. **94100060** 1 - 1 NO



Microswitch, to be installed in the bracket of the **"Push"** 94254 chassis and **"Push-Infilare"** used to detect door opening.

Can be used with security system. Instructions. **94200060** 1 - 1 NO



Microswitch, to be installed in the bracket of the **"Push Bar"** serie 944 chassis, used to detect door opening.

Can be used with security system. Instructions. **94800030** 1 - 1 NO



**Locks for
fire resistant
doors**



**DOUBLE
SAFETY:
NO PANIC,
NO BACTERIA**

In line with its attention to safety, ISEO has decided to add this measure to a device which is always present in public environments and in all those places where hygiene and healthcare is a basic requirement: hospitals, clinics, treatment homes, but also child care centres and nursery schools.

Therefore, the panic function is enriched with the antibacterial protection, AntiGerm*, whose performance is certified by Padova University Molecular Medicine Department.

The antibacterial treatment action is permanent and does not require special maintenance. The constant release of silver ions ensures top efficiency throughout the product life, even in case of surface scratches.

***Antibacterial protection for panic exit devices and accessories (except for Stainless steel/PVD finishes).**

All ISEO panic and emergency exit devices with antibacterial coating AntiGerm have obtained the voluntary certification ICIM 021AW/1.



Electric locks for fire resistant doors	6-6	Palmo	6-16
Locks for fire resistant doors	6-7	Push-Infilare	6-19
Panic exit electric mortice locks	6-8	Push-Palmo	6-21
Panic exit mortice locks	6-9	Pad-Infilare	6-24
Panic exit counterlocks	6-11	Handles	6-26
IDEA Base Infilare	6-14		

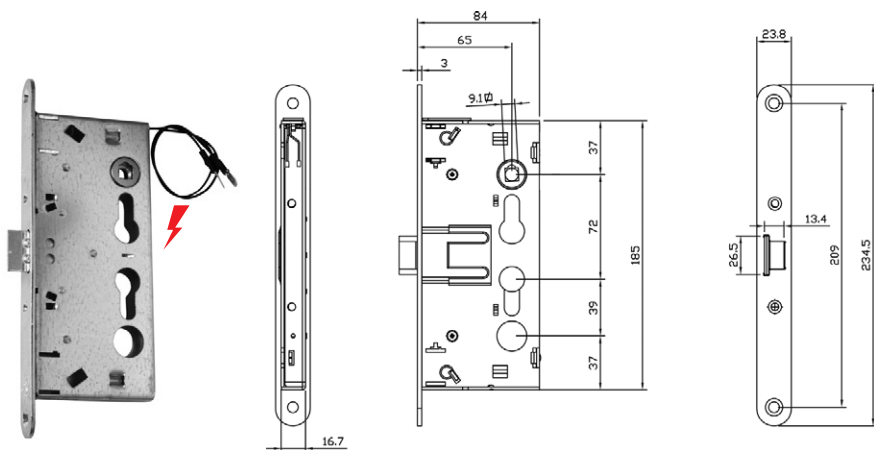


Code

Multiple
package
Single
package

Min. ord.

Electric locks for fire resistant doors



LOCK FOR FIRE RESISTANT DOORS 12V AC/DC.
(EXTERNAL HANDLE). 1 lateral point, latchbolt only.
Handle follower enabled during electric pulse only.

Internal - external: the cylinder enables and disables the panic handle.

Front plate rounded, mm 24x3, zinc-plated.

One-piece handle follower mm 9. Distance mm 72. Backset mm 65.

Single packaging

Right-handed

216930654.5D

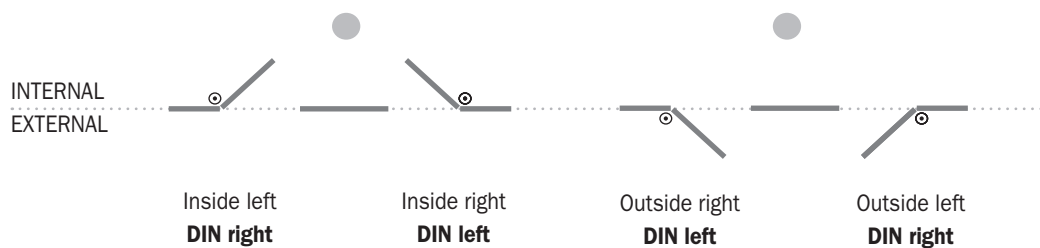
1 10 10

Left-handed

216930654.5S

1 10 10

Doors opening direction.



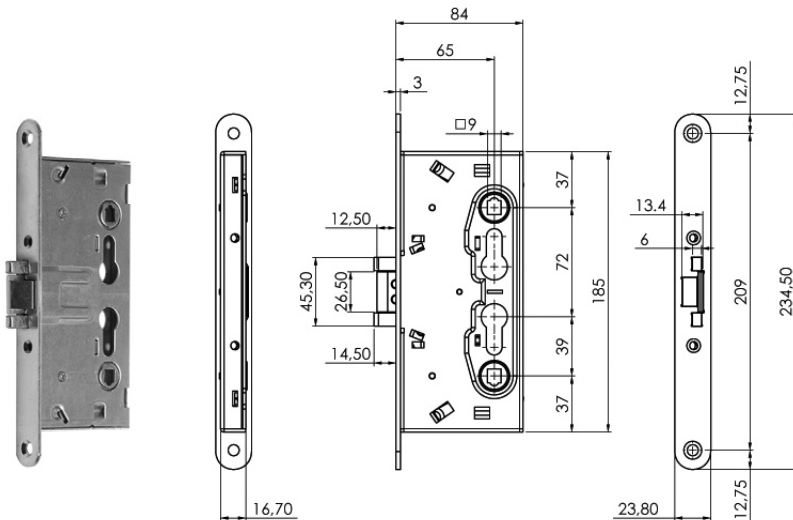


Code

Multiple
package
Single
package

Min. ord.

Locks for fire resistant doors



LOCK FOR LEFT- AND RIGHT-HANDED FIRE RESISTANT DOORS.

1 lateral point, deadbolt and latchbolt.

External and internal: the key operates both the deadbolt and latchbolt, the handle operates the latchbolt only.

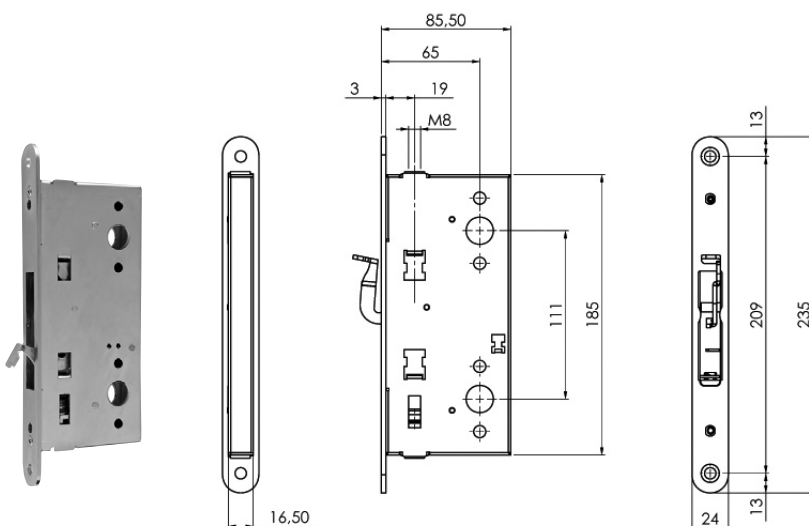
Front plate rounded, mm 24x3, zinc-plated.

One piece handle one-piece follower mm 9. Distance mm 72. Backset mm 65.

Single packaging

216120654

1 10 10



COUNTERLOCK FOR LEFT- AND RIGHT-HANDED FIRE RESISTANT DOORS.

FLUSH BOLT function for secondary leaf. **Operation: rods operated by lever on front plate.**

Front plate rounded, mm 24x3, zinc-plated. The threaded rods are connected to the lock by screwing them inside the self fixing connection nut. Rods projection mm 17.

Backset mm 65.

Usable with locks 216***, 214***.

Single packaging

212000654

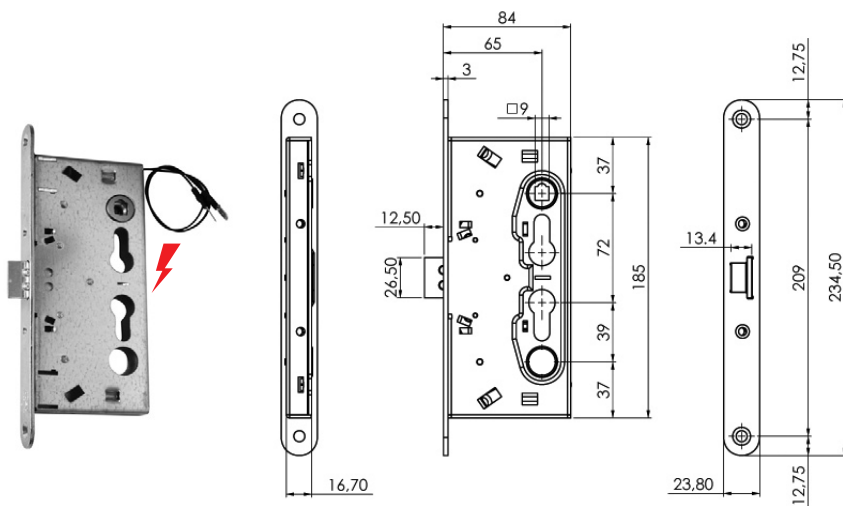
1 10 10



Code

Min. ord.
Multiple
package
Single
package

Panic exit electric mortice locks



ELECTRIC LOCK FOR FIRE RESISTANT PANIC EXIT DOORS 12V ac/dc. Electrical absorption 860 mA.

(EXTERNAL HANDLE). 1 lateral point, latchbolt only. Opening with external handle enabled during electric pulse only.

For the "hold-open device" feature, the hold voltage must not exceed 7V ac.

Internal: latchbolt operated by the panic exit device.

External: latchbolt operated by the handle only if enabled by the key or during electric pulse.

Front plate rounded, mm 24x3, zinc-plated.

Panic exit two-piece follower mm 9.

Distance mm 72. Backset mm 65.

Usable with panic exit devices art. 9490000*0379 - 9449****839.

Single packaging

Right-handed	214910654..D	1	10	10
Left-handed	214910654..S	1	10	10

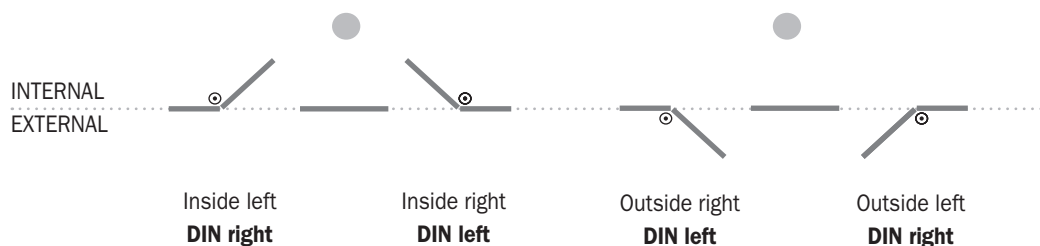
Reversed latchbolt.

Pull emergency door.

Single packaging

Right-handed	214910654.CD	1	10	10
Left-handed	214910654.CS	1	10	10

Doors opening direction.



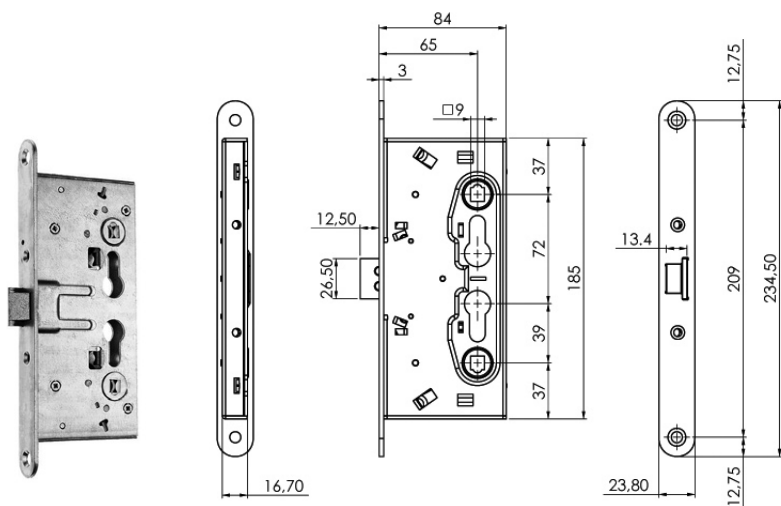


Code

Multiple
package
Single
package

Min. ord.

Panic exit mortice locks



LOCK FOR LEFT- AND RIGHT-HANDED FIRE RESISTANT PANIC EXIT DOORS (EXTERNAL HANDLE). 1 lateral point, latchbolt only.

Internal: latchbolt operated by the panic exit device, by the handle or by the key.

**External: latchbolt operated by the key and by the handle
only if enabled by the key.**

Front plate rounded, mm 24x3, zinc-plated.

Panic exit two-piece follower mm 9. Distance mm 72. Backset mm 65.

Usable with panic exit devices art. 9490000*0379 - 9449***839.

Single packaging

214110654

1 10 10

Reversed latchbolt.

Pull emergency door.

Single packaging

214110654.C

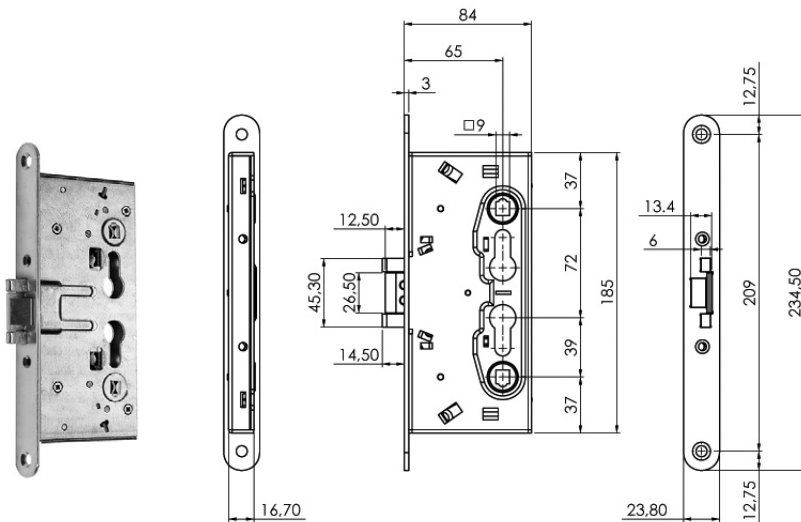
1 10 10



Code

Min. ord.
Multiple
package
Single
package

Panic exit mortise locks



LOCK FOR LEFT- AND RIGHT-HANDED FIRE RESISTANT PANIC EXIT DOORS

(EXTERNAL FIXED KNOB). 1 lateral point, deadbolt and latchbolt.

Internal: deadbolt and latchbolt operated by the panic exit device, by the handle or by the key.

External: the key operates both the deadbolt and the latchbolt.

Front plate rounded, mm 24x3, zinc-plated.

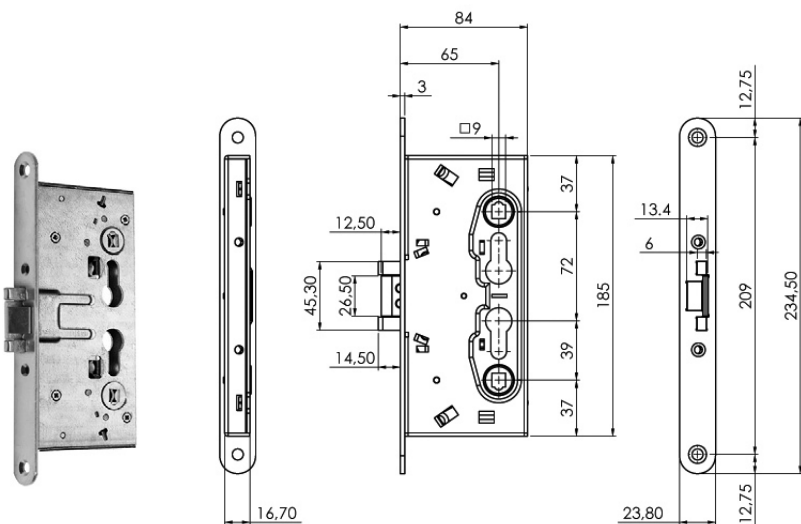
Panic exit one-piece follower mm 9. Distance mm 72. Backset mm 65.

Usable with panic exit devices art. 9490000*0379 - 9449****839.

Single packaging

214140654

1 10 10



LOCK FOR LEFT- AND RIGHT-HANDED FIRE RESISTANT PANIC EXIT DOORS

(EXTERNAL HANDLE). 1 lateral point, deadbolt and latchbolt.

Internal: deadbolt and latchbolt operated by the panic exit device, by the handle or by the key.

External: the key operates both the deadbolt and the latchbolt, handle operates latchbolt only.

Front plate rounded, mm 24x3, zinc-plated.

Panic exit two-piece follower mm 9. Distance mm 72. Backset mm 65

Usable with panic exit devices art. 9490000*0379 - 9449****839.

Single packaging

214120654

1 10 10

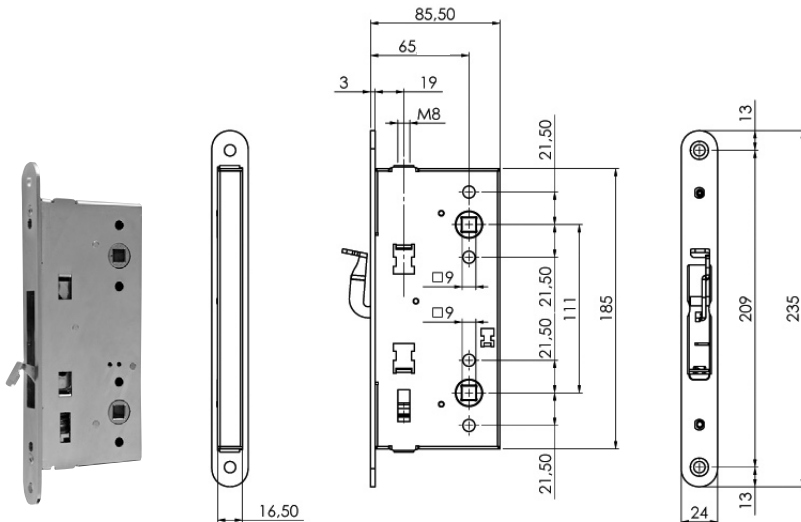


Code

Multiple
package
Single
package

Min. ord.

Panic exit counterlocks



COUNTERLOCK FOR FIRE RESISTANT PANIC EXIT DOORS.

NO HANDING, DOUBLE OPERATION (OVERTURNED)

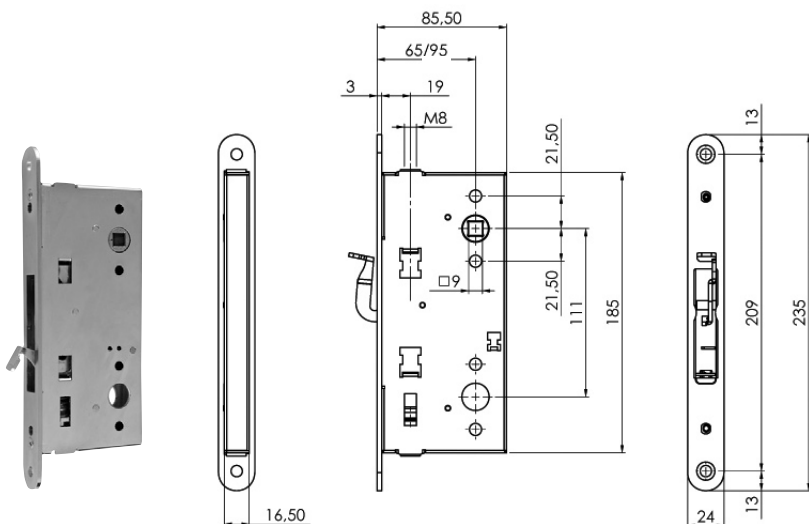
FLUSH BOLT and **PANIC EXIT** function for secondary leaf. **Operation: the panic exit device operates the rods and releases the latchbolt of the lock in the main leaf, the lever on the front plate operates the rods.** Front plate rounded, mm 24x3, zinc-plated.

The threaded rods are connected to the lock by screwing them inside the self fixing connection nut. Rods projection mm 17. Backset 65 mm.

Usable with locks 214110654 latchbolt only. Single packaging

212600654

1 10 10



COUNTERLOCK FOR FIRE RESISTANT PANIC EXIT DOORS.

NO HANDING, SINGLE OPERATION (NO OVERTURNED)

FLUSH BOLT and **PANIC EXIT** function for secondary leaf. **Operation: the panic exit device operates the rods and releases the latchbolt of the lock in the main leaf, the lever on the front plate operates the rods.**

Front plate rounded, mm 24x3, zinc-plated.

The threaded rods are connected to the lock by screwing them inside the self fixing connection nut. Rods projection mm 17. Backset 65 mm.

Usable with locks 214110654 latchbolt only.

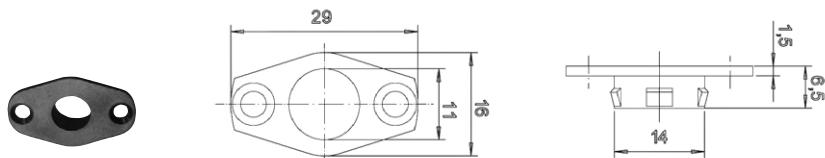
Single packaging

212700654

1 10 10

Code
Min. ord.
Multiple
package
Single
package

Accessories



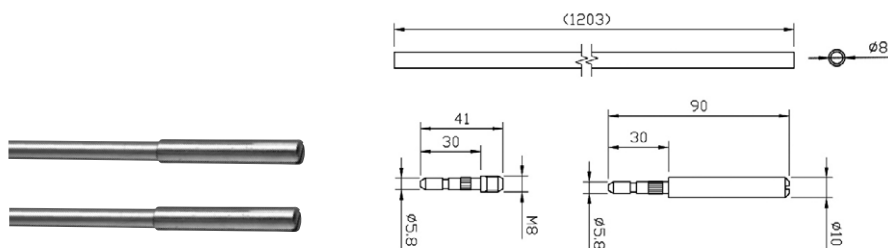
Rod hasp bottom for secondary leaf

032174 - 10 10



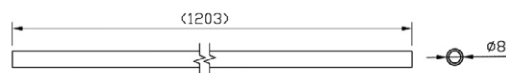
Steel **plate for bottom rod hasp**, to be fixed
on **reversible secondary leaves**

032704 - 10 10



Rods for counterlock/flush bolt

032184 1 - 1



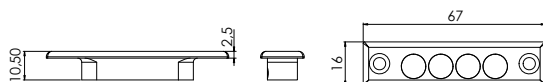
Rods extension for counterlock/flush bolt L= 3400

0321A4 1 - 1



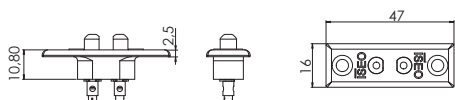
Male electrical contact, 4 poles, thickness 2.5 mm

050066 - 50 50



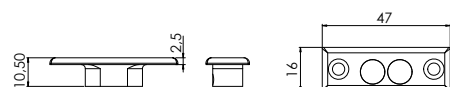
Female electrical contact, 4 poles, thickness 2.5 mm

050067 - 50 50



Male electrical contact, 2 poles, thickness 2.5 mm

050068 - 50 50



Female electrical contact, 2 poles, thickness 2.5 mm

050069 - 50 50



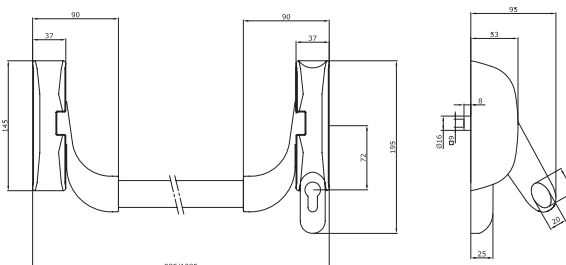
Code

Multiple package
Single package

Min. ord.



IDEA Base Infilare for main and secondary leaf



IDEA Base Infilare panic exit device for FIRE RESISTANT doors, **FOR MAIN AND SECONDARY LEAF, REVERSIBLE**, can be used with panic exit mortice locks and counterlocks with 9 mm handle follower. Center distance mm 72, with handle follower rotation **30°**.

Templates. Assembly instructions.

9 MM SQUARE SPINDLE NOT INCLUDED.

CE EN1125 mark and ICIM product certification.

Accessories to be ordered separately:

Lock 2141**65* - 214910654*- Counterlock 2126**65* - Counterlock 2127**65*

Oval bar 9459* - Striking plate 032094

Microswitch 94100160. Door handles 032*.

Square spindle 9479* - Accessories 0321*4

PVD finish	94C000020379	1	-	1	NO
ENDUR4NCE finish	94C0000R0379	1	-	1	NO
Painted BLACK	94C000050379	1	-	1	YES
Painted METAL GREY	94C000070379	1	-	1	YES

Anti[™] : antibacterial protection
GERM

Certifications



The ICIM certification as per EN 1125 is only valid if the operating bar in this page is used in conjunction with ISEO locks, striking plates, counterlocks and accessories as indicated in the next page. Whoever uses a certified panic exit device in conjunction with locks, counterlocks, accessories and/or striking plates different from the ones specified by ISEO shall be responsible for compliance with EN 1125.

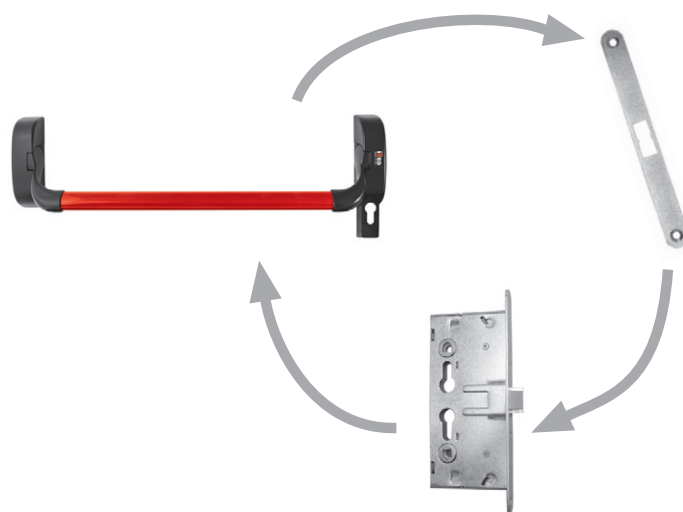
All the updated certificates can be downloaded from our web site: www.iseoserrature.it



IDEA Base Infilare for main and secondary leaf

The panic exit device for fire resistant doors with MORTICE LOCK FOR MAIN LEAF is made up of a horizontal bar which operates the locking mechanism through the handle follower. The operation of the bar causes the rotation of the handle follower, unlocks the lock and opens the door. Reversible mechanism for usage on right or left handed doors. All versions can be used with a microswitch that signals door openings.

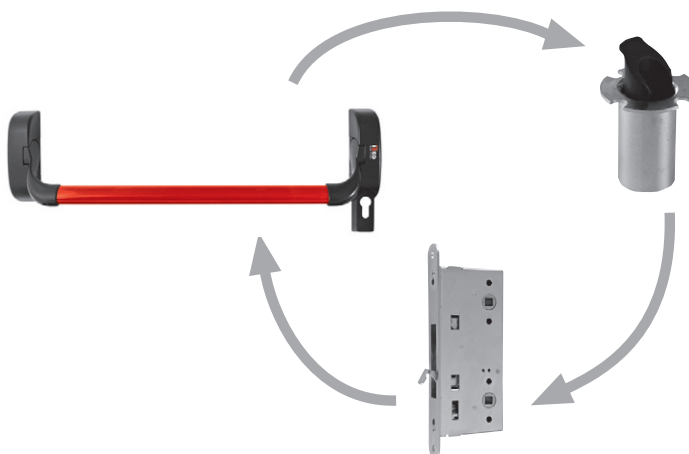
Locking mechanism	Bar	Lock	Striking plate
94C0000*0379	9459*	21411*65*	032094
94C0000*0379	9459*	214910654..*	032094



The panic exit device for fire resistant doors with MORTICE COUNTERLOCK FOR SECONDARY LEAF is made up of a horizontal bar which operates the locking mechanism through the handle follower.

The operation of the bar causes the rotation of the handle follower of the counterlock, by which the upper and the lower rod will move inside, the latchbolt of the panic exit lock in the main leaf will be released and both leaves can be opened. Reversible mechanism for usage on right or left handed doors. All versions can be used with a microswitch that signals door openings.

Locking mechanism	Bar	Counterlock	Accessories
94C0000*0379	9459*	2126**65*	0321*4
94C0000*0379	9459*	2127**65*	0321*4





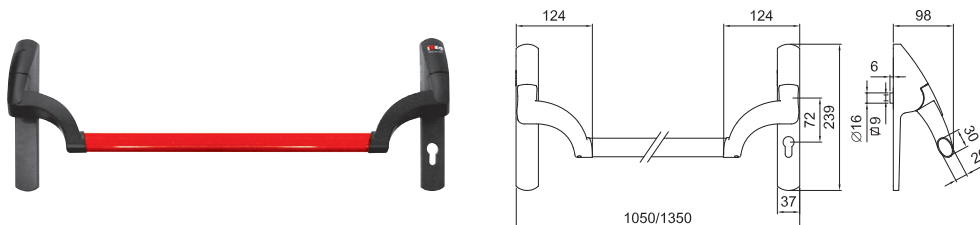
Code

Multiple package
Single package

Min. ord.



Palmo for main and secondary leaf



Palmo panic exit device for FIRE RESISTANT doors, **FOR MAIN AND SECONDARY LEAF, REVERSIBLE**, can be used with panic exit mortice locks and counterlocks with 9 mm handle follower. Center distance mm 72, with handle follower rotation **30°**. BLACK painted. Templates. Assembly instructions. SQUARE SPINDLE NOT INCLUDED. CE EN1125 marking and ICIM product certification.

Accessories to be ordered separately:

- Lock 2141**65* - Counterlock 2126**65* - Counterlock 2127**65*
- Oval bar 9459* - Striking plate 032094
- Microswitch 94100160 - Door handles 032*
- Square spindle 9479* - Accessories 0321*4

PVD finish	949000020379	1	-	1	NO
ENDUR4NCE finish	9490000R0379	1	-	1	YES
Painted BLACK	949000050379	1	-	1	YES
Painted METAL GREY	949000070379	1	-	1	YES

AntiGERM: antibacterial protection

Certifications



The ICIM certification as per EN 1125 is only valid if the operating bar in this page is used in conjunction with ISEO locks, striking plates, counterlocks and accessories as indicated in the next page. Whoever uses a certified panic exit device in conjunction with locks, counterlocks, accessories and/or striking plates different from the ones specified by ISEO shall be responsible for compliance with EN 1125.

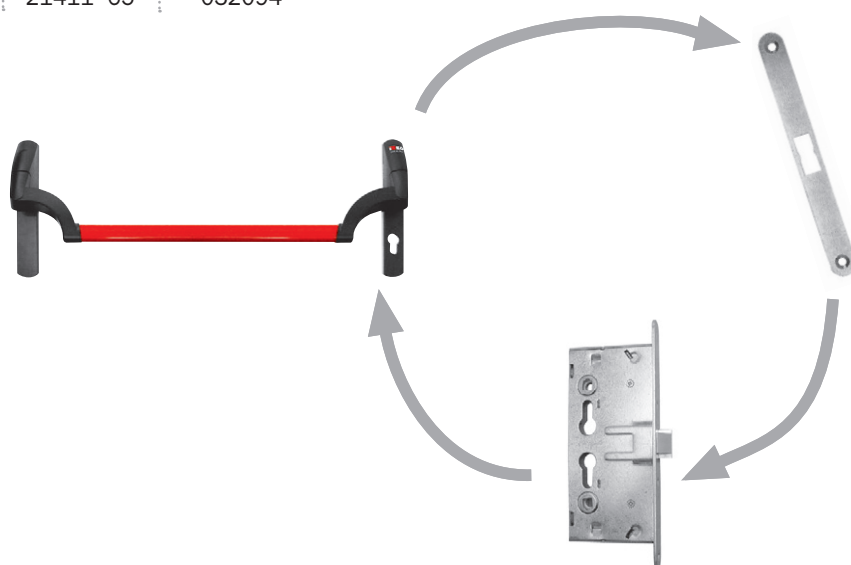
All the updated certificates can be downloaded from our web site: www.iseoserrature.it



Palmo for main and secondary leaf

The panic exit device for fire resistant doors with MORTICE LOCK FOR MAIN LEAF is made up of a horizontal bar which operates the locking mechanism through the handle follower. The operation of the bar causes the rotation of the handle follower, unlocks the lock and opens the door. Reversible mechanism for usage on right or left handed doors. All versions can be used with a microswitch that signals door openings.

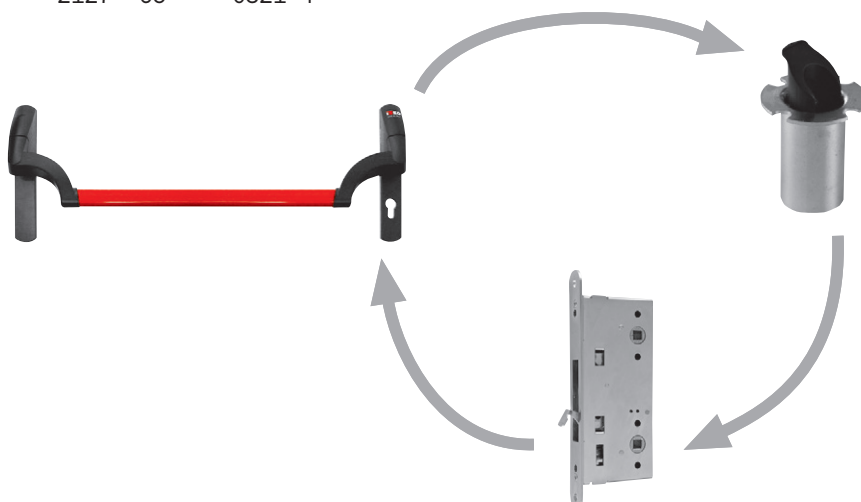
Locking mechanism	Bar	Lock	Striking plate
9490000*0379	9459*	21411*65*	032094



The panic exit device for fire resistant doors with MORTICE COUNTERLOCK FOR SECONDARY LEAF is made up of a horizontal bar which operates the locking mechanism through the handle follower.

The operation of the bar causes the rotation of the handle follower of the counterlock, by which the upper and the lower rod will move inside, the latchbolt of the panic exit lock in the main leaf will be released and both leaves can be opened. Reversible mechanism for usage on right or left handed doors. All versions can be used with a microswitch that signals door openings.

Locking mechanism	Bar	Counterlock	Accessories
9490000*0379	9459*	2126**65*	0321*4
9490000*0379	9459*	2127**65*	0321*4





Code

Min. ord.
Multiple
package
Single
package



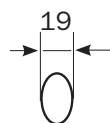
Accessories

1130



Horizontal oval bar for panic exit devices **IDEA - Palmo SERIES 94C - 9490.**

Length mm **1130**



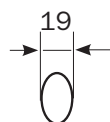
INOX	945922	1	-	1	NO
ENDUR4NCE	94592R	1	-	1	NO
Painted WHITE	945924	1	-	1	YES
Painted BLACK	945925	1	-	1	YES
Painted RED	945928	1	-	1	YES
Painted METAL GREY	945927	1	-	1	YES

1330



Horizontal oval bar for panic exit devices **IDEA - Palmo SERIES 94C - 9490.**

Length mm **1330**



INOX	945932	1	-	1	NO
ENDUR4NCE	94593R	1	-	1	NO
Painted RED	945938	1	-	1	YES
Painted METAL GREY	945937	1	-	1	YES



Microswitch, to be fitted in exit devices.
SERIES 9490.

Can be used in conjunction with security systems. Fixing screws. Instructions sheet. **94100160** 1 - 1 NO



Microswitch, to be installed in the bracket of the **94C*** series,
"IDEA Base" and "Bolt" chassis, used to detect door opening.

Can be used with security systems. Instructions. **94100060** 1 - 1 NO

Code

Multiple package
Single package

Min. ord.



Push-Infilare for main and secondary leaf



Push-Infilare panic exit device for FIRE RESISTANT doors, **FOR MAIN AND SECONDARY LEAF, REVERSIBLE**, to be used with a panic exit mortice lock and counterlocks with 9 mm handle follower. **CENTER DISTANCE 72 MM** with handle follower rotation **30°**. Shortenable fixing plate allowing the assembly also without the cylinder. Templates. Assembly instructions. SQUARE SPINDLE NOT INCLUDED. CE EN1125 mark and ICIM product certification.

Accessories to be ordered separately:

- Lock 2141**65* - 214910654*- Counterlock 2126**65*
- Counterlock 2127**65* - Striking plate 032094.
- Accessories 0321*4. - Microswitch 94400060 - Door handles 032*.
- Square spindle 9479*.

Length mm 840. Chassis and bar finish ENDUR4NCE	94F0084RR379	1	-	1	YES
Length mm 840. Chassis and bar painted METAL GREY	94F008477379	1	-	1	YES
Length mm 840. Chassis painted BLACK and bar painted BLACK	94F008455379	1	-	1	YES
Length mm 840. Chassis painted GREEN and bar painted BLACK	94F00845V379	1	-	1	YES
Length mm 840. Chassis painted BLACK and bar painted RED	94F008458379	1	-	1	YES
Length mm 840. Chassis and bar painted WHITE	94F008444379	1	-	1	YES
Length mm 1165. Chassis and bar finish ENDUR4NCE	94F0117RR379	1	-	1	YES
Length mm 1165. Chassis painted BLACK and bar painted GREEN	94F01175V379	1	-	1	YES
Length mm 1165. Chassis and bar painted METAL GREY	94F011777379	1	-	1	YES
Length mm 1165. Chassis painted BLACK and bar painted RED	94F011758379	1	-	1	YES
Length mm 1165. Chassis and bar painted WHITE	94F011744379	1	-	1	YES
Length mm 1300. Chassis and bar painted METAL GREY	94F013077379	1	-	1	YES
Length mm 1300. Chassis painted BLACK and bar painted RED	94F013058379	1	-	1	YES

Anti GERMI: antibacterial protection

Certifications



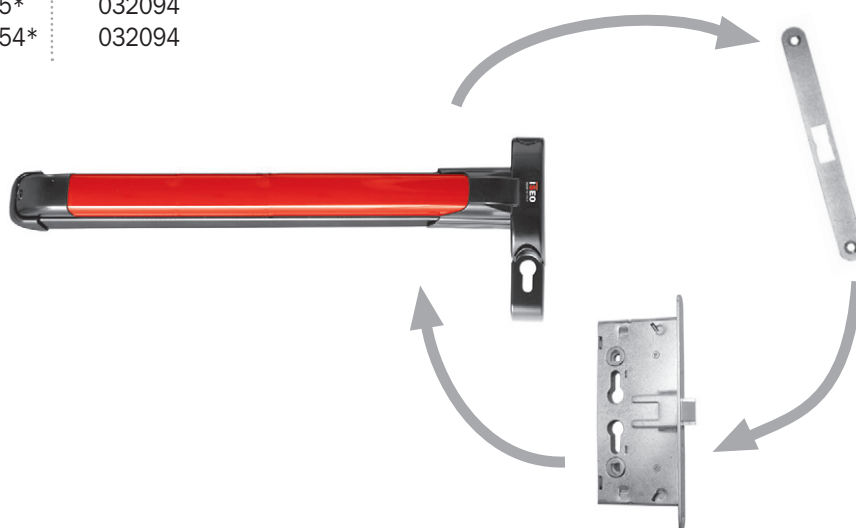
The ICIM certification as per EN 1125 is only valid if the operating bar in this page is used in conjunction with ISEO locks, striking plates, counterlocks and accessories as indicated in the next page. Whoever uses a certified panic exit device in conjunction with locks, counterlocks, accessories and/or striking plates different from the ones specified by ISEO shall be responsible for compliance with EN 1125.

All the updated certificates can be downloaded from our web site: www.iseoserrature.it

Push-Infilare for main and secondary leaf

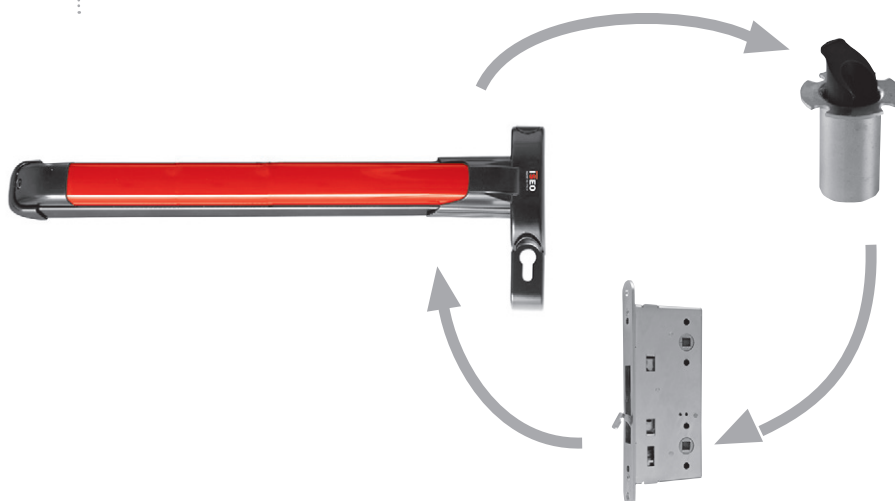
The panic exit device for fire resistant doors with MORTICE LOCK FOR MAIN LEAF is made up of a horizontal bar which operates the locking mechanism through the handle follower. The operation of the bar causes the rotation of the handle follower, unlocks the lock and opens the door. Supplied in sizes mm 840 and 1165, shortenable to mm 330, reversible mechanism in metal grey or red/black finish for usage on right- or left-handed doors. All versions can be used with a microswitch that signals door openings. Shortenable fixing plate allowing the assembly also without the cylinder.

Bar	Lock	Striking plate
94F0****379	2141**65*	032094
94F0****379	214910654*	032094



The panic exit device for fire resistant doors with MORTICE COUNTERLOCK FOR SECONDARY LEAF is made up of a horizontal bar which operates the locking mechanism through the handle follower. The operation of the bar causes the rotation of the handle follower of the counterlock, by which the upper and lower rod will move inside, the latchbolt of the panic exit lock in the main leaf will be released and both leaves can be opened. Supplied in sizes mm 840 and 1165, shortenable to mm 330, reversible mechanism in metal grey or red/black finish for usage on right- or left-handed doors. All versions can be used with a microswitch that signals door openings. Shortenable fixing plate allowing the assembly also without the cylinder.

Bar	Counterlock	Accessories
94F0****379	2126**65*	0321*4
94F0****379	2127**65*	0321*4



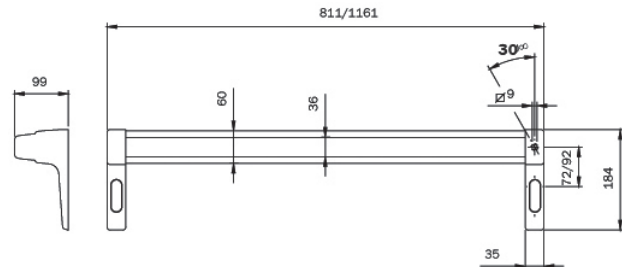


Code

Min. ord.
Multiple
package
Single
package



Push-Palmo for main and secondary leaf



Push Palmo panic exit device for FIRE RESISTANT doors, **FOR MAIN AND SECONDARY LEAF, REVERSIBLE**, to be used with a panic exit mortice lock and counterlocks with 9 mm handle follower. **CENTER DISTANCE 72 MM** with handle follower rotation **30°**. Mechanism in red/black painted finish. Templates. Assembly instructions. SQUARE SPINDLE NOT INCLUDED. CE EN1125 mark and ICIM product certification.

To be ordered separately:

- Lock 2141**65* - Counterlock 2126**65* - Counterlock 2127**65*
- Kit of thermoexpanding gaskets 9400020 - Striking plate 032094
- Accessories 0321*4
- Microswitch 94400030 - Door handles 032*
- Square spindle 9479*

Length mm 811	94490815839	1	-	1	YES
Length mm 1161	94491165839	1	-	1	YES

Anti™ : antibacterial protection
GERM

Certifications



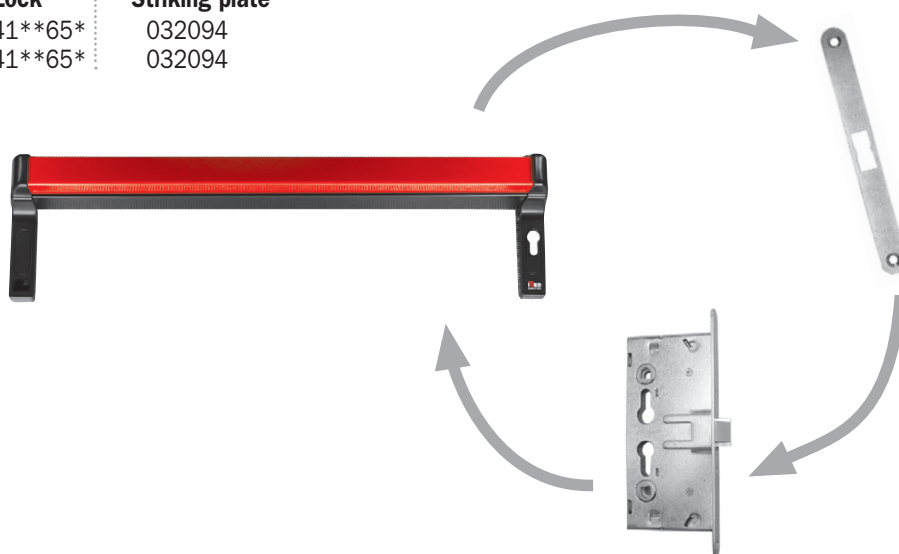
The ICIM certification as per EN 1125 is only valid if the operating bar in this page is used in conjunction with ISEO locks, striking plates, counterlocks and accessories as indicated in the next page. Whoever uses a certified panic exit device in conjunction with locks, counterlocks, accessories and/or striking plates different from the ones specified by ISEO shall be responsible for compliance with EN 1125.

All the updated certificates can be downloaded from our web site: www.iseoserrature.it

Push-Palmo for main and secondary leaf

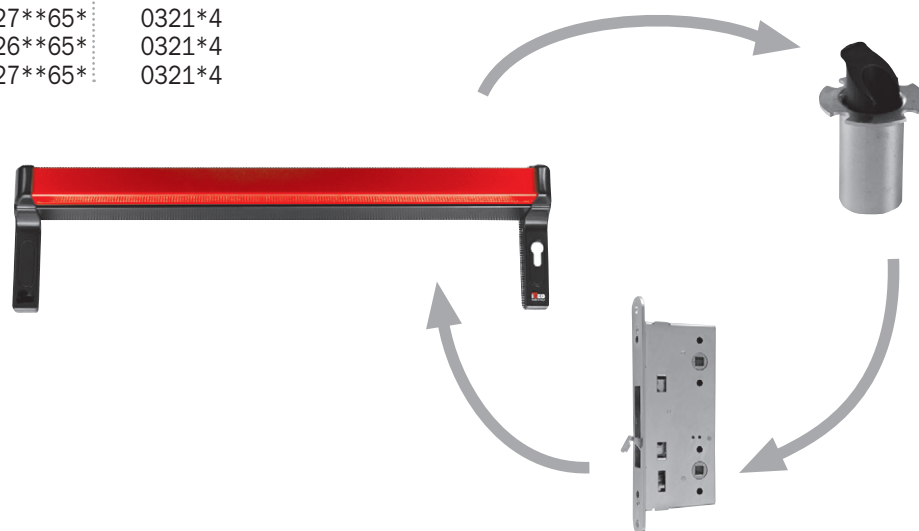
The panic exit device for fire resistant doors with MORTICE LOCK FOR MAIN LEAF is made up of a horizontal bar which operates the locking mechanism through the handle follower. The operation of the bar causes the rotation of the handle follower, unlocks the lock and opens the door. Supplied in sizes mm 811 and 1161, shortenable to mm 330, reversible mechanism for usage on right- or left-handed doors. All versions can be used with a microswitch that signals door openings.

Bar	Lock	Striking plate
94490815839	2141**65*	032094
94491165839	2141**65*	032094



The panic exit device for fire resistant doors with MORTICE COUNTERLOCK FOR SECONDARY LEAF is made up of a horizontal bar which operates the locking mechanism through the handle follower. The operation of the bar causes the rotation of the handle follower of the counterlock, by which the upper and lower rod will move inside, the latchbolt of the panic exit lock in the main leaf will be released and both leaves can be opened. Supplied in sizes mm 811 and 1161, shortenable to mm 330, reversible mechanism for usage on right- or left-handed doors. All versions can be used with a microswitch that signals door openings.

Bar	Counterlock	Accessories
94490815839	2126**65*	0321*4
94490815839	2127**65*	0321*4
94491165839	2126**65*	0321*4
94491165839	2127**65*	0321*4



Code
Single
package
Multiple
package
Min. ord.

Accessories



Microswitch detecting door openings, to be fitted in the **Push Palmo series 9449** mechanism.
Can be used in conjunction with security systems. Instructions sheet.

94400030 1 - 1



Microswitch, to be installed in the bracket of the **94F*** and **"Push" 9424** chassis,
used to detect door opening.
Can be used with security system. Instructions.

94200060 1 - 1



Cover with cylinder hole for European profile cylinder for **Push Palmo bars series 9449**
for panic exit mortice locks with **center distance 72/92 mm**.
In BLACK painted zinc diecast.

040840 10 - 10



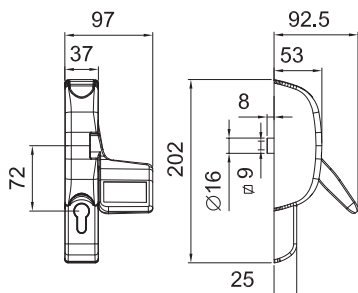
Code

Multiple package
Single package

Min. ord.



Pad-Infilare for main and secondary leaf



Emergency exit device PAD Infilare for FIRE RESISTANT doors,

FOR MAIN AND SECONDARY LEAF, REVERSIBLE,

can be used with panic exit mortice locks and counterlocks with 9 mm handle follower.

Centre distance mm 72, with handle follower rotation 30°.

Templates. Assembly instructions.

SQUARE SPINDLE NOT INCLUDED.

CE EN179 marking and ICIM product certification.

Accessories to be ordered separately:

Lock 21411*65* - Counterlock 2126**65*

Counterlock 2127**65* - Striking plate 032094

Square spindle 9479* - Accessories 0321*4 - Door handles 032*

Painted BLACK	94G000050379	1	-	1	YES
Painted METAL GREY	94G000070379	1	-	1	YES

Anti_{GERM}: antibacterial protection

Certifications

The ICIM certification as per EN 179 is only valid if the DEVICE in this page is used in conjunction with ISEO locks, striking plates, counterlocks and accessories as indicated in the next page. Whoever uses a certified DEVICES in conjunction with locks, counterlocks, accessories and/or striking plates different from the ones specified by ISEO shall be responsible for compliance with EN 179.

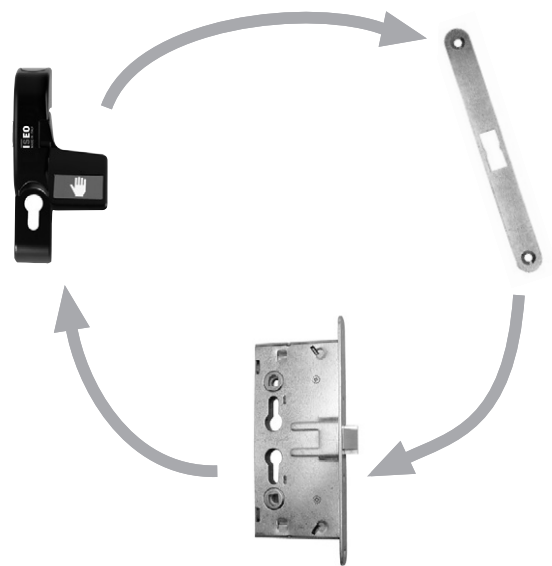
All the updated certificates can be downloaded from our web site: www.iseoserrature.it



Pad-Infilare for main and secondary leaf

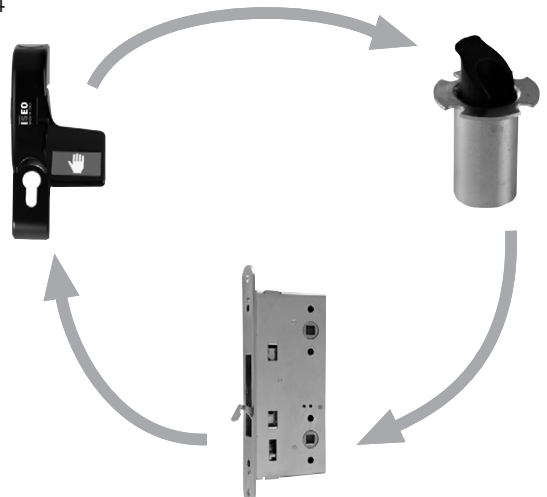
The EMERGENCY EXIT DEVICE for fire resistant doors with mortice lock for main leaf is made up of an OPERATING DEVICE which operates the lock through the handle follower. The operation of the MOVING LEVER causes the rotation of the handle follower, unlocks the lock and opens the door. Reversible mechanism for usage on right or left handed doors. Shortenable fixing plate allowing the assembly also without the cylinder.

Locking mechanism	Lock	Striking plate
94G0000*0379	21411*65*	032094



The EMERGENCY EXIT DEVICE for fire resistant doors with MORTICE COUNTERLOCK FOR SECONDARY LEAF is made up of a OPERATING DEVICE which operates the lock through the handle follower. The operation of the mechanism causes the rotation of the handle follower of the counterlock, by which the upper and lower rod will move inside, the latchbolt of the panic exit lock in the main leaf will be released and both leaves can be opened. Reversible mechanism for usage on right or left handed doors.

Locking mechanism	Counterlock	Accessories
94G0000*0379	2126**65*	0321*4
94G0000*0379	2127**65*	0321*4





Code

Min. ord.
Multiple
package
Single
package

Handles

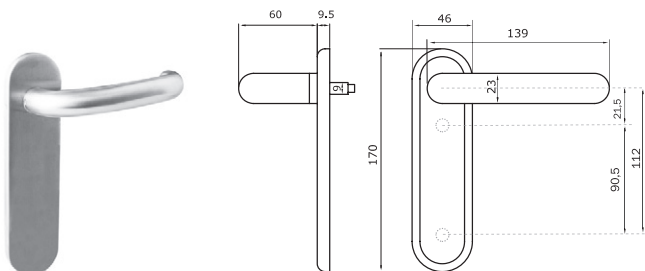


Plate with handle and without cylinder hole.

For fire resistant doors and panic exit fire resistant doors **EN179**.

Supplied with: fixing screws for doors up to mm 63.

STAINLESS STEEL

032532

1 30 30

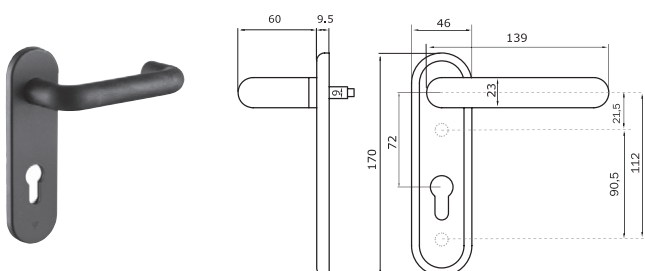


Plate with handle and cylinder hole.

For fire resistant doors and panic exit fire resistant doors **EN179**.

Supplied with: fixing screws for doors up to mm 63.

STAINLESS STEEL

032432

1 30 30

GREY

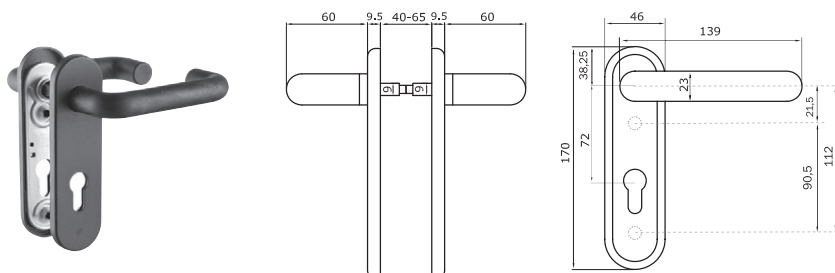
032433

1 30 30

BLACK

032435

1 30 30



Handle set with cylinder hole.

For fire resistant doors and panic exit fire resistant doors **EN179**.

Supplied with: handle follower mm 125, fixing screws for doors up to mm 63.

STAINLESS STEEL

032412

1 30 30

GREY

032413

1 30 30

BLACK

032415

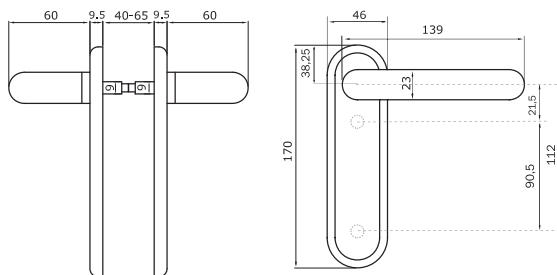
1 30 30



Code

Min. ord.
Multiple
package
Single
package

Handles



Handle set without cylinder hole.

For fire resistant doors and panic exit fire resistant doors **EN179**.

Supplied with: handle follower mm 125, fixing screws for doors up to mm 63.

BLACK

032515

1 30 30

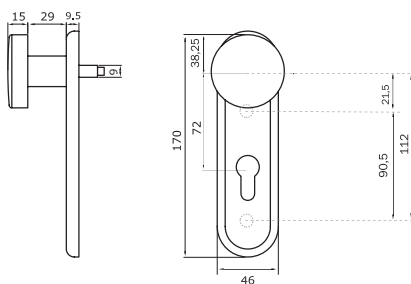


Plate with knob and cylinder hole.

For fire resistant doors and panic exit fire resistant doors **EN179**.

Supplied with: fixing screws for doors up to mm 63.

STAINLESS STEEL

032462

1 30 30

BLACK

032465

1 30 30

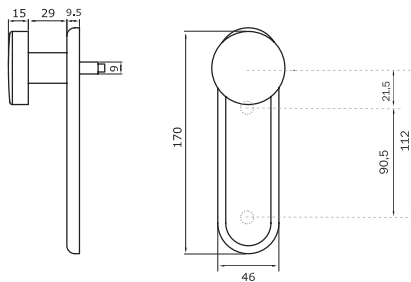


Plate with knob and without cylinder hole.

For fire resistant doors and panic exit fire resistant doors **EN179**.

Supplied with: fixing screws for doors up to mm 63.

GREY

032423

1 30 30

BLACK

032425

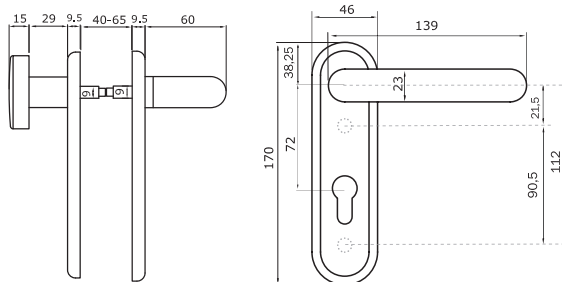
1 30 30



Code

Min. ord.
Multiple
package
Single
package

Handles



Handle set with knob and cylinder hole.

For fire resistant doors and panic exit fire resistant doors **EN179**.

Supplied with: fixing screws for doors up to mm 63.

STAINLESS STEEL

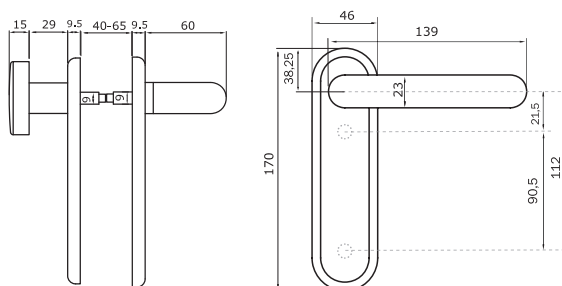
032402 1 30 30

GREY

032403 1 30 30

BLACK

032405 1 30 30



Handle set with knob and without cylinder hole.

For fire resistant doors and panic exit fire resistant doors **EN179**.

Supplied with: fixing screws for doors up to mm 63.

GREY

032503 1 30 30

BLACK

032505 1 30 30

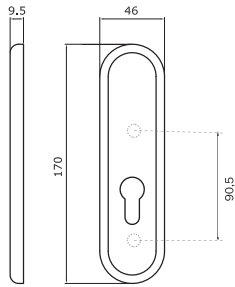


Code

Multiple
package
Single
package

Min. ord.

Accessories



External plate without handle/knob, with cylinder hole.

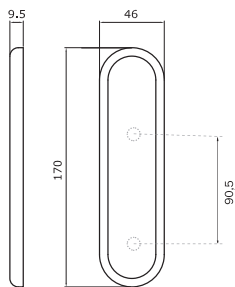
For fire resistant doors and panic exit fire resistant doors.

Supplied with: fixing screws for doors up to mm 63.

BLACK

032455

1 30 30



External plate without handle/knob without cylinder hole.

For fire resistant doors and panic exit fire resistant doors.

Supplied with: fixing screws for doors up to mm 63.

BLACK

032445

1 30 30



Code

Min. ord.
Confezione
multipla
Confezione
singola

Accessories



Square spindle mm 9, length **mm 125**

947900

10 - 10



Splitted square spindle mm 9

mm 55/38

947910

10 - 10

mm 55/55

947920

10 - 10

mm 65/25

947990

10 - 10

mm 65/30

947980

10 - 10

mm 65/40

947970

10 - 10

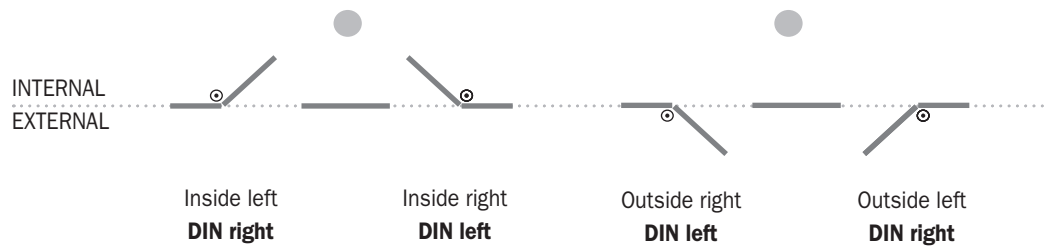


Square spindle mm 9, length **mm 62**, with seeger

947930

10 - 10

Doors opening direction

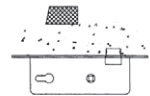


Use Instructions

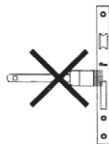
To lubricate the cylinder use only teflon Interflon Finlube TF.



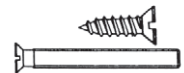
When assembling, make sure drillings and filings do not enter the lock.



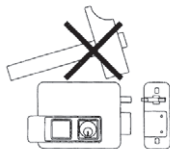
Do not paint the lock front plate, since this may cause damages to the deadbolt and the latchbolt.



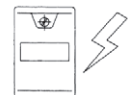
Fixing screws must not cause damage to the product.



For installation, carefully follow the user's instructions or call skilled staff.



To install the lock exclusively use the transformers recommended in the instructions.





www.iseo.com

Iseo Serrature s.p.a.

■ Via San Girolamo 13
25055 Pisogne (BS) - Italy
☎ +39 0364 8821
Fax +39 0364 882263
iseo@iseo.com

■ Via Don Fasola, 4
22069 Rovellasca (CO) - Italy
☎ +39 02 96740420
Fax +39 02 96740309
info.fiam@iseo.com

Iseo France s.a.s.

Zone Industrielle
1111, rue du Maréchal Juin
CS 90367 Vaux Le Pénil
77006 Melun Cédex - France
☎ +33 1 64835858
Fax +33 1 64879685
city.iseofrance@iseo.com

Iseo Middle East F.Z.E.

P.O. Box 61390
Jebel Ali, Dubai
United Arab Emirates
☎ +9 714 2957220
Fax +9 714 2957166
iseome@emirates.net.ae

Olso Meccanica s.r.l.

Via della Meccanica 23
310162 Arad (AR) - România
41018 San Cesario s.P (MO)
Italy
☎ +39 059 927948
Fax +39 059 927972
info.olso@iseo.com

Feroneria Prod S.A.

Calea 6 Vânători 51-53
310162 Arad (AR) - România
☎ +40 257 250 225
Fax +40 257 257 127
feroneria@iseo.com

Iseo Asia Pacific Sdn Bhd

15-21 Jalan 22
Taman Bukit Kuchai
47190 Puchong, Selangor D.E
Malaysia
☎ +603 8075 3331
Fax +603 8075 3333
info@iseo.com.my

Iseo Deutschland GmbH

Wiesestraße 190
07548 Gera - Germany
☎ +49 365 73620
Fax +49 365 7362135
info.iseodeutschland@iseo.com

Cerraduras Iseo Ibérica S.L.

C/ Las Marineras 2
28864 Ajalvir - Madrid - Spain
☎ +34 91 8843200
Fax +34 91 8843003
iseo@iseoiberica.es

Iseo Projects and Access Control DMCC

P.O. Box 336998 JLT
Cluster T One Lake Plaza, Dubai
United Arab Emirates
☎ +9 714 5136162
Fax +9 714 5576488
iseoprojects@iseo.com

Microhard s.r.l.

Via Don Fasola, 4
22069 Rovellasca (CO) - Italy
☎ +39 02 96749084
Fax +39 02 73965117
info.mh@iseo.com

Iseo South Africa (Pty) Ltd

Unit C2, Maitland Industrial Park
733 Voortrekker Road, Maitland
7405 Cape Town - South Africa
☎ +27 21 593 0101
Fax +27 21 593 0110
sales@iseo.co.za

Iseo Beijing

Arch. Hardware Co.Ltd.
Room 1001 Bldg 11 Jianwai Soho
39 East 3RD Ring Road
Chaoyang District - Beijing
PR. China 100021
☎ +86 10 5869 8079
Fax +86 10 5869 4282
admin.cn@iseoasia.com

Iseo Colombia s.a.s.

Calle 122 # 19A - 55
110111 Bogotá - Colombia
☎ +57 1 807 7712
Fax +57 1 807 7713
info.iseocolombia@iseo.com

