

Iseo Serrature s.p.a
Via San Girolamo 13
25055 Pisogne (BS)
ITALY
Tel. +39 0364 8821
iseo@iseo.com

Download
User Manual



gamma.iseozero1.com

ELECTRONIC SUPPORT SERVICE
iseozero1.com



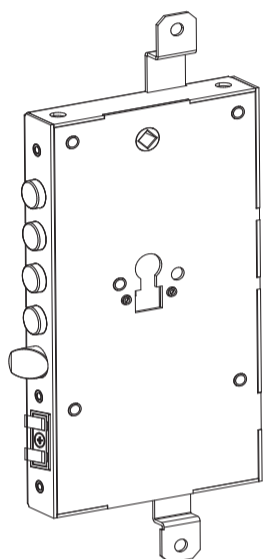
Non contractual document. Subject to change. Cod. 6000006980013A.6, Rev. 006 - 13/12/2017
Installation Guide x1R Easy (EN) - © 2017 Iseo Serrature S.p.a. - www.iseo.com

CODES	1
DIMENSIONS	2
REVERSIBILITY OF THE LATCH	3
REVERSIBILITY OF THE DOOR CONTACTS	4
FIXING THE CYLINDER	5
FIXING THE DOOR CLOSED CONTACTS	6
ASSEMBLING	7
INSTALLATION'S EXAMPLES	8
WARNINGS	9
BATTERY HOUSING	10
CONNECTIONS	11

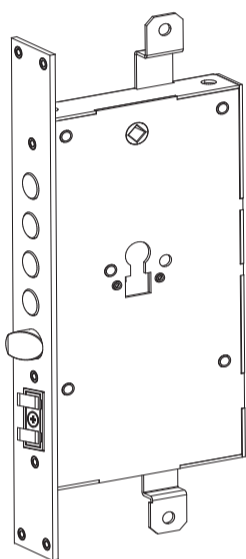
1. CODES

LEGEND:

S = piston protrusion
I = piston centres
CP = product code

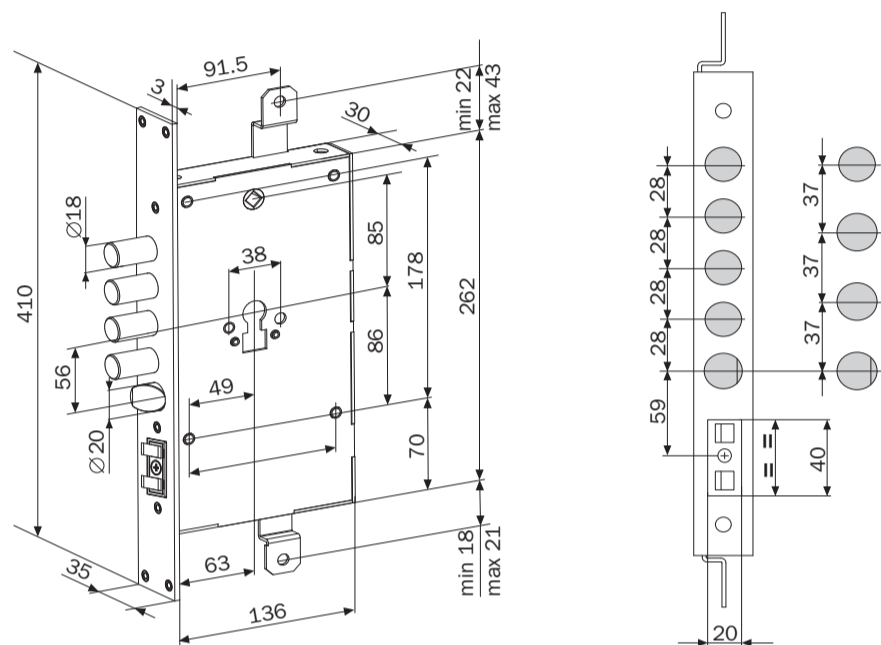


S	I	CP
3	28	0698.0328
13	28	0698.1328
3	37	0698.0337
13	37	0698.1337

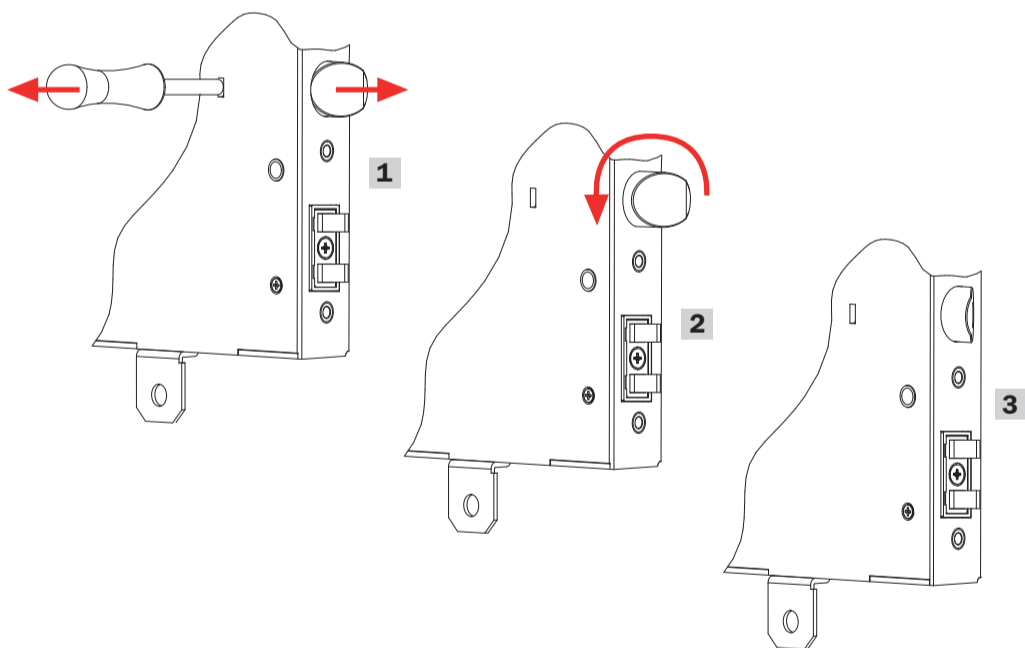


S	I	CP
0	28	0698.0028
0	37	0698.0037

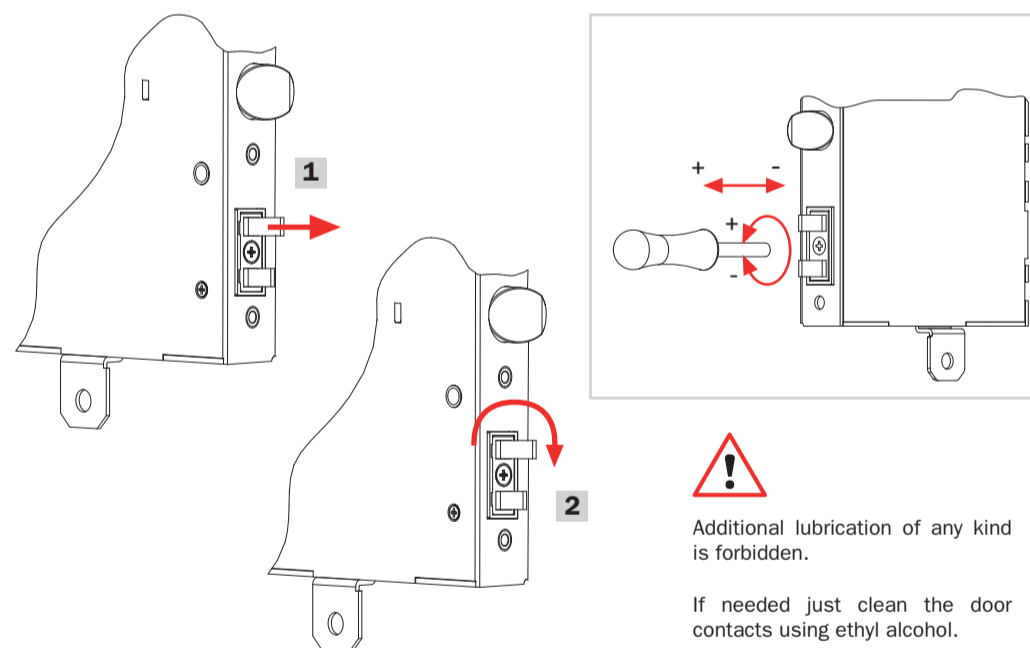
2. DIMENSIONS



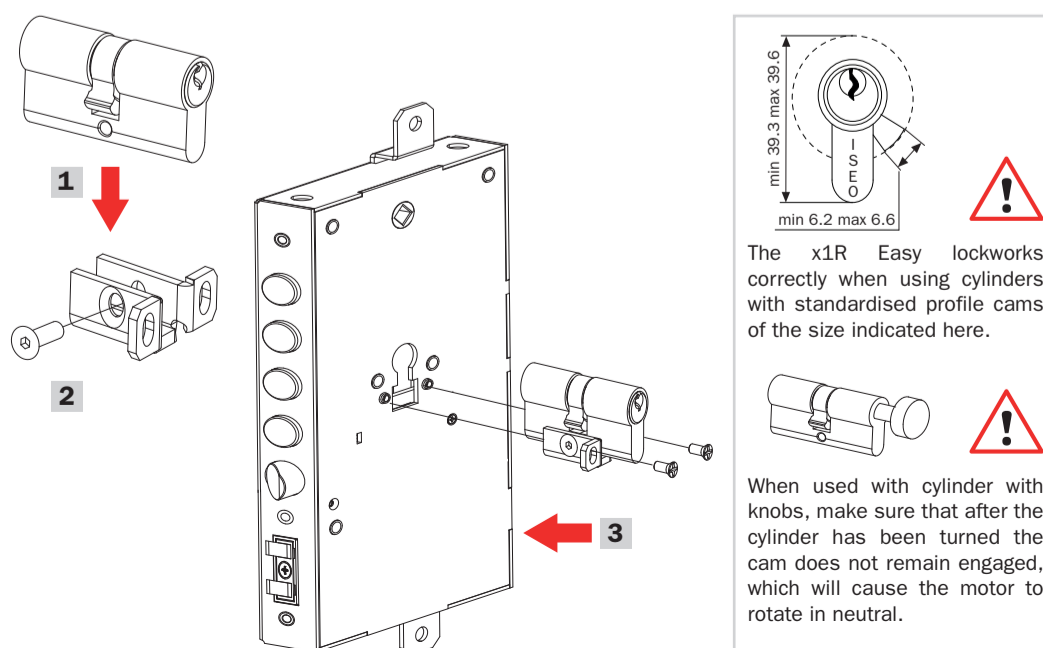
3. REVERSIBILITY OF THE LATCH



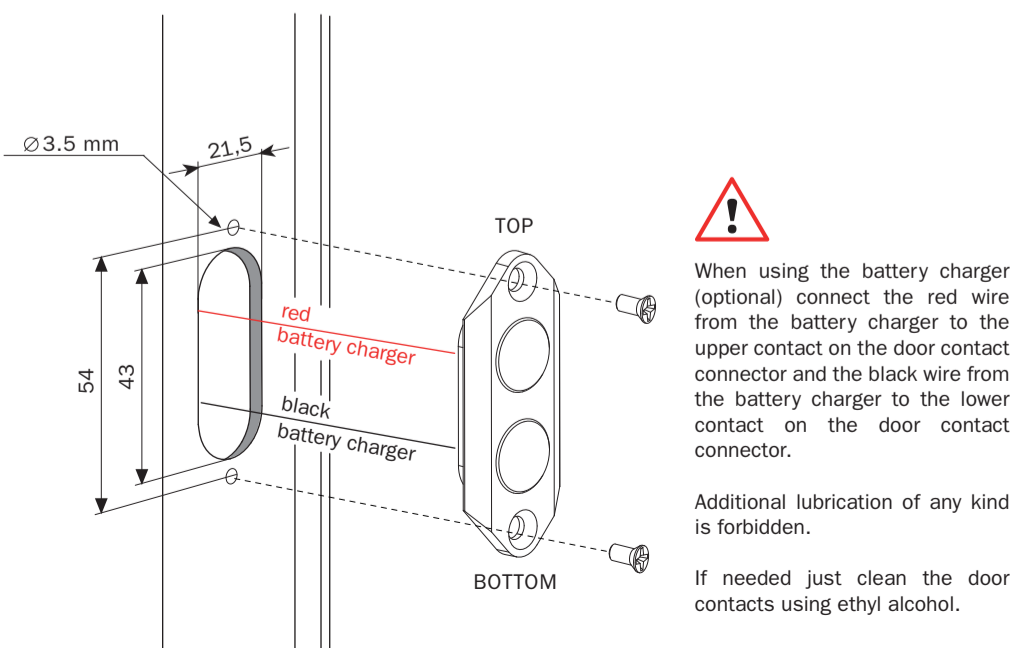
4. REVERSIBILITY OF THE DOOR CONTACTS



5. FIXING THE CYLINDER

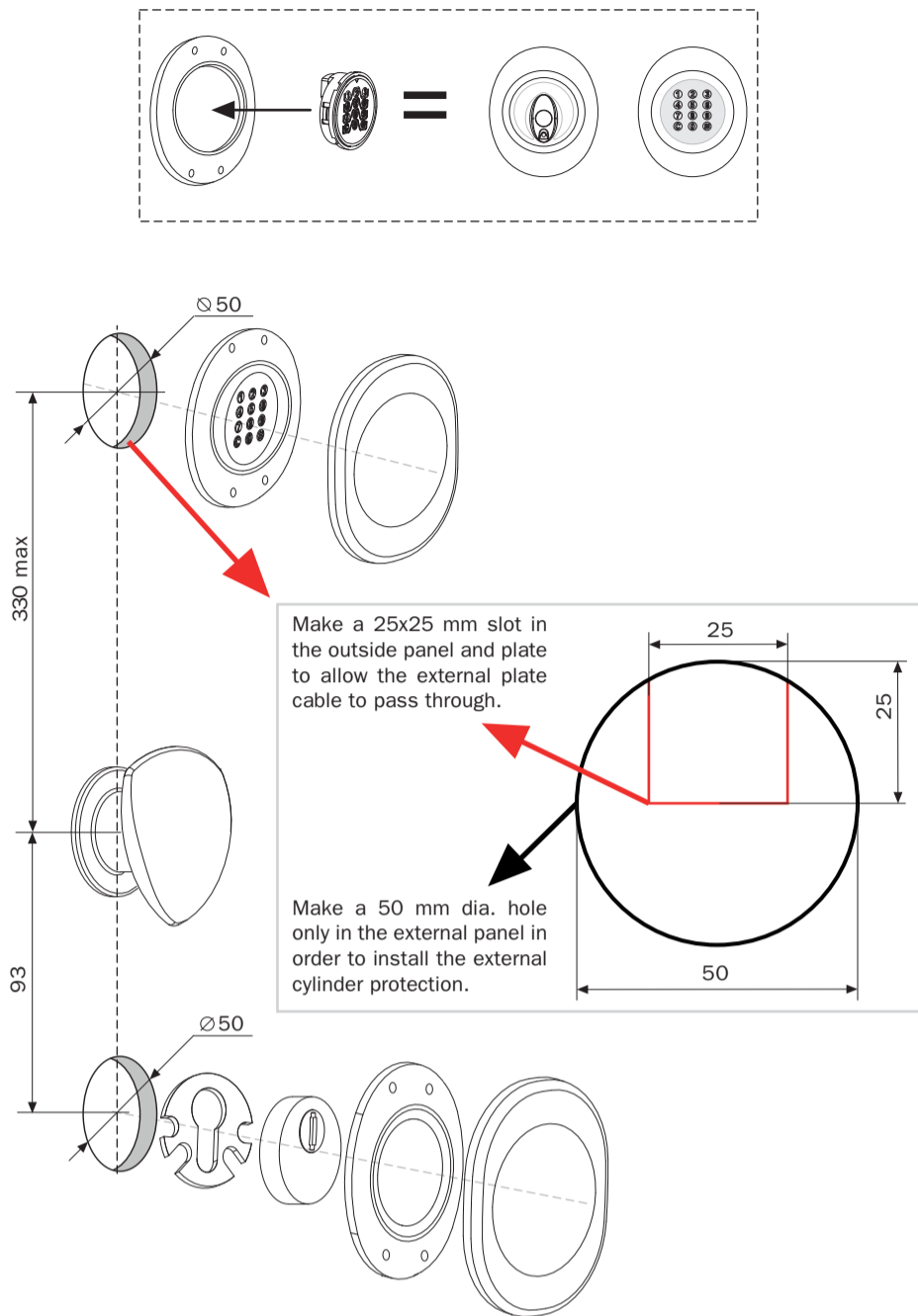


6. FIXING THE DOOR CLOSED CONTACT



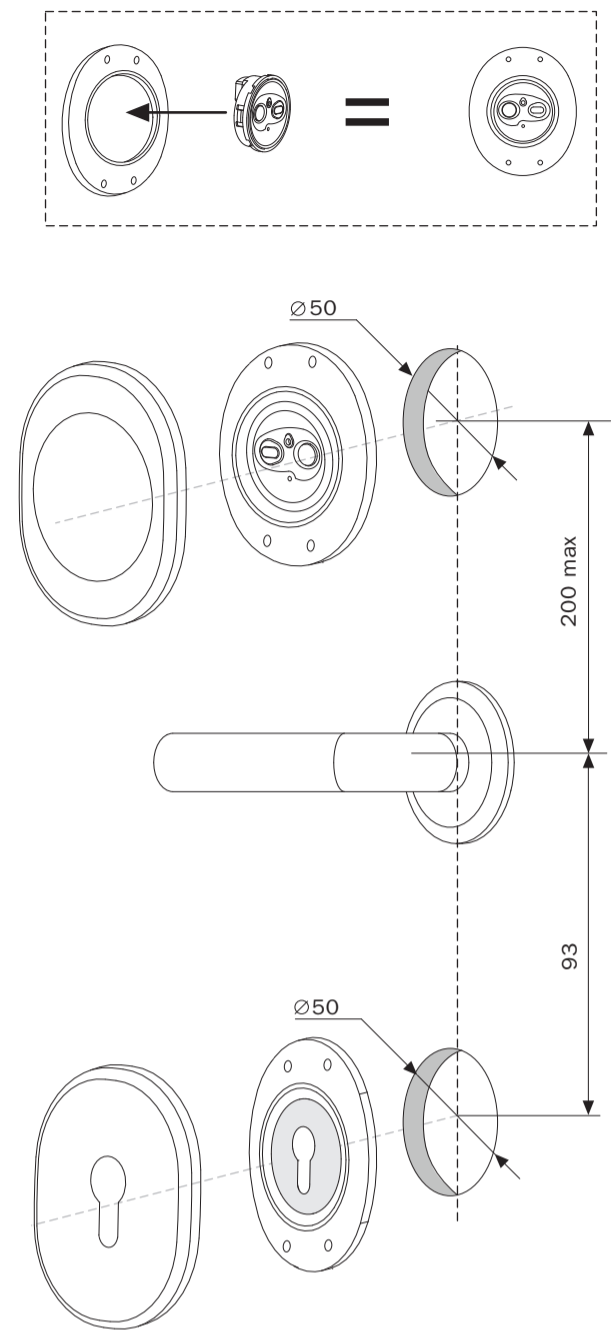
7. ASSEMBLING

Assembling the external indicator on the external panel
(TAG keypad/reader – TAG reader only)

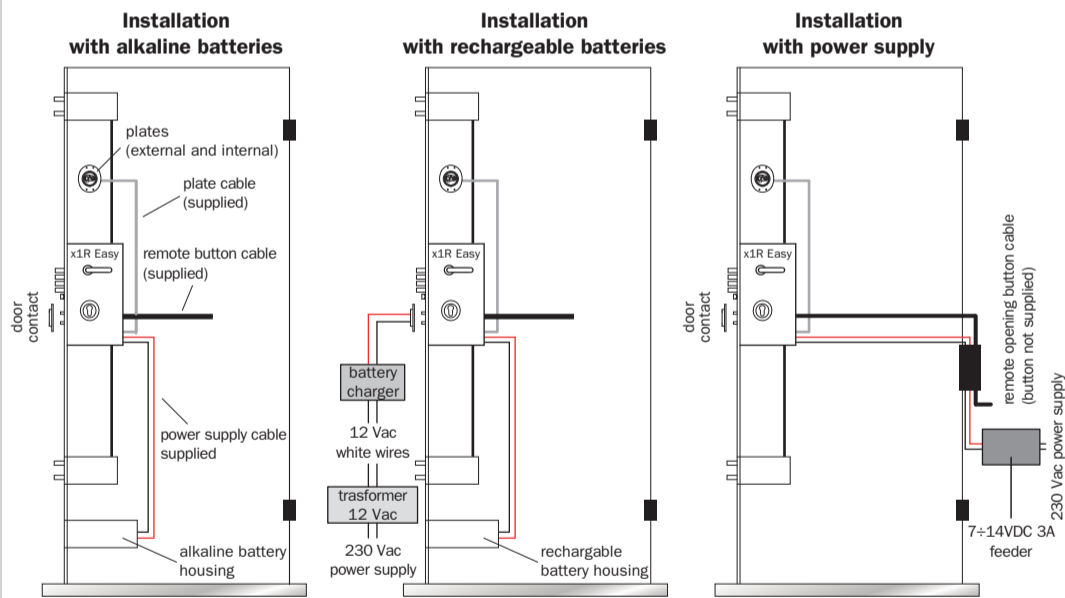


7.1 ASSEMBLING

Assembling the internal indicator
on the internal panel (buttons)



8. INSTALLATION'S EXAMPLES



9. WARNINGS



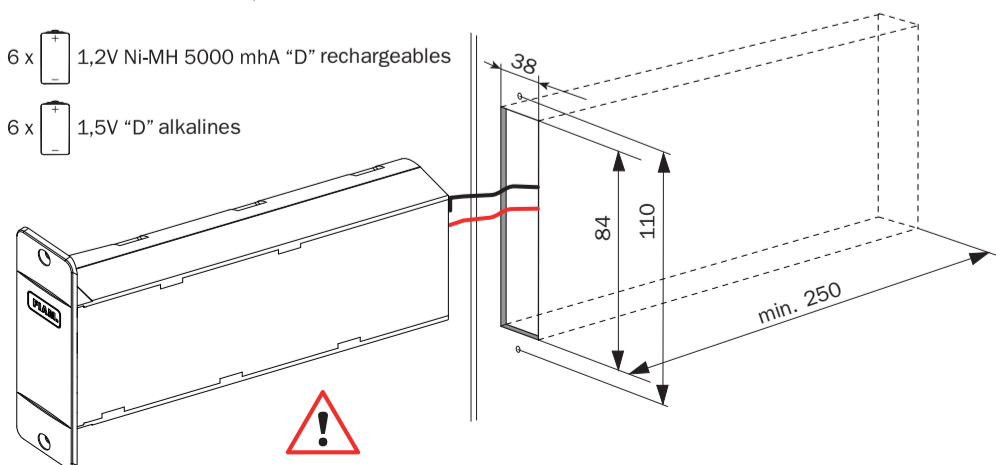
CE	ISEO Serrature S.p.A. Via S. Girolamo, 13 25055- Pisogne – BS Italy	
	0497/CPR/5706 EN14846:2008	
DoP & Declaration of conformity available on the web site http://www.iseoserrature.it		

- When using the cable for the “remote opening button” use a cable gland to allow the cables to pass through the hinge side of the door.
- Do not connect the opening button input (black/brown wires) directly to power supply sources.
- If the distance between the remote opening button and the door is more than 5 meters, use a relay (normally open common contact) positioned near the lock and not more than 5 meters from it.
- Do not work on the door with the lock installed in order to prevent wood or metal residue getting into the lock.
- Do not connect power supplies other than the FIAM battery charger to the door contact. The lock can be powered directly (7÷14VDC 3A) only from the connector side.
- When using a feeder as a direct power supply source (7÷14VDC 3A), fit a cable gland to allow the cable to pass through the hinge side of the door.
- The product can be destined only for the use for which it was expressly made and, therefore, as an armored door lock for civil and industrial locations. Any other use is to be considered improper and dangerous.

10. BATTERY HOUSING

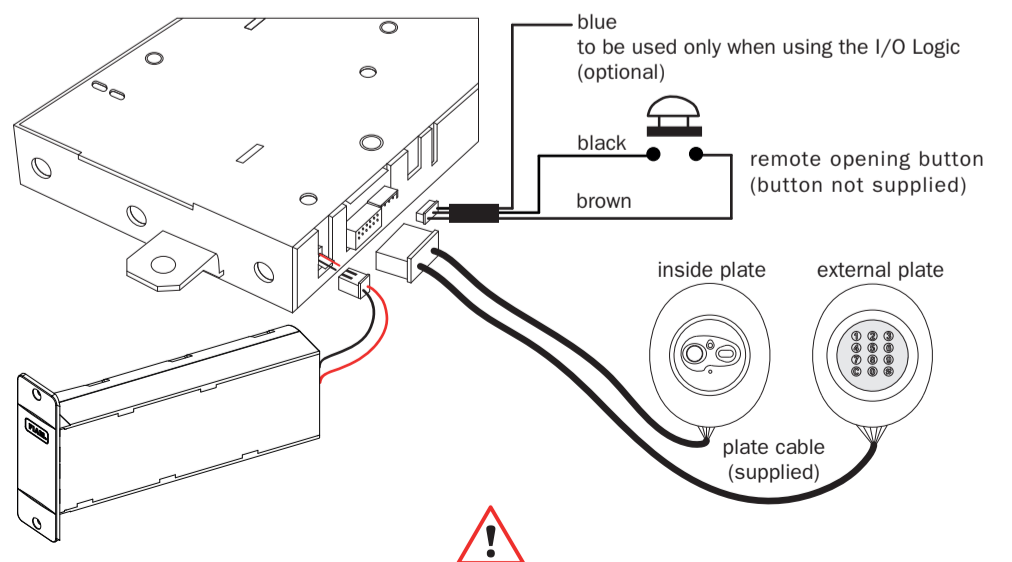


- 6 x 1,2V Ni-MH 5000 mAh “D” rechargeables
- 6 x 1,5V “D” alkalines



Before switching on the power to the x1R Easy lock make sure that the red and black wires are intact and that the connectors on the battery housing do not come into contact with the door frame in any way.

11. CONNECTIONS



Use a normally open button (clean contacts) as a “remote opening button”. The opening command must have a duration of less than 1,5 sec. in order to have the pistons and latch always retracted (lock stopped at “daytime opening”) provide an opening control with a duration of not less than 20 sec. In order to exit this mode provide the same input with an impulse with a duration of less than 1,5 sec.